

# KSD-PTS645 Series 6 mm\*6mm Tact Switches



## Features/Benefits

- Compact size 6 x 6 mm
- Variety of actuator lengths
- Choice of actuation force
- RoHS compliant and compatible

## Typical Applications

- Consumer products
- Instrumentation
- Computer products
- Industrial

## Specification

FUNCTION: Momentary action  
CONTACT ARRANGEMENT: SPST, N.O.  
TERMINALS: PC pins

## Mechanical

LIFE EXPECTANCY: 100,000 operations.

## Electrical

CONTACT RATING: 50 mA @ 12 V DC.  
DIELECTRIC STRENGTH: 250 V AC min.  
CONTACT RESISTANCE: 100 mΩ max. initial.  
INSULATION RESISTANCE: 10<sup>11</sup> Ω min.

## Environmental

OPERATING TEMPERATURE: -40°C to 85°C  
STORAGE TEMPERATURE: -40°C to 85°C

## Process

SOLDERING: Preheating to 100°C for 45 sec. max. Keep flux flush with top surface of PCB; do not apply to component side of PCB and area where terminals are located. Soldering to 255°C for 5 sec. max. Clean by brushing on solder surface. Do not clean switch with solvents.

## Packaging

Bulk packaging

### Tape & reel for the SMT type:

Reels of 1,000 pieces for 4.3 and 5.0 mm height  
Reels of 700 pieces for 7.0 mm height  
Reels of 700 pieces for 7.3 mm height  
Reels of 500 pieces for 9.5 mm height  
Reels of 400 pieces for 13.0 mm height

### NOTE:

- Specifications listed above are for switches with standard options. For information on specific and custom switches, consult Customer Service Center.
- The PTS series is not certified for using in Automotive application and no PPAP. However, in the case of some automotive accessories and specific applications for 2 and 3 wheeled vehicles the PTS is widely used and very suitable. Please contact your local C&K representative to discuss your application and the best switch solution.

## How To Order

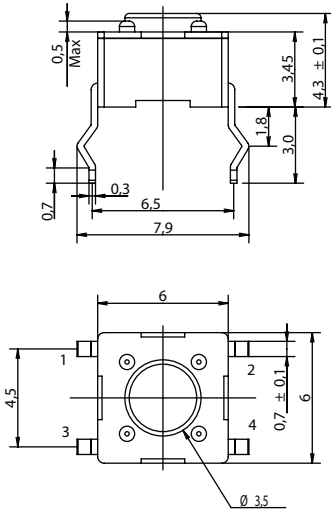
Our easy build-a-switch concept allows you to mix and match options to create the switch you need. To order, select desired option from each category and place it in the appropriate box.

P	T	S	6	4	5															L	F	S
																		RoHS compliant and compatible. Silver plated.				
																		<b>Termination</b> <b>S</b> Straight <b>T</b> Straight with ESD pin <b>V</b> Vertical THT				
																		<b>Actuator Shape</b> <b>NONE</b> Round actuator, All versions <b>J</b> Square actuator, 2.4 mm side (available for Straight 7.3 mm and Vertical 6.15 mm)				
																		<b>Actuation Force</b> <b>N</b> 100 gf <b>L</b> 130 gf <b>M</b> 160 gf <b>H</b> 200 gf <b>K</b> 260 gf <b>P</b> 320 gf				
																		<b>Insertion Type</b> <b>2</b> Thru hole <b>SMTR92*</b> Surface mount G-type, tape & reel <b>JSMTR92*</b> Surface mount J-type, tape & reel				
																		<b>Switch height from PCB for S and T only (H dimension see actuator height drawings)</b> <b>43</b> 4.3 (.169), thru-hole and SMT <b>50</b> 5.0 (.197), thru-hole and SMT <b>70</b> 7.0 (.275), thru-hole and SMT <b>73</b> 7.3 (.287), thru-hole and SMT, square actuator 2.4 mm side only <b>95</b> 9.5 (.374), thru-hole and SMT <b>13</b> 13.0 (.512) SMT only <b>11</b> 11.0 (.433) SMT only				
																		<b>Switch length from front leads for V only (H dimension see actuator height drawings)</b> <b>31</b> 3.15 (.124), vertical <b>39</b> 3.85 (.151), vertical <b>58</b> 5.85 (.230), vertical <b>61</b> 6.15 (.242), vertical, square actuator 2.4 mm side only <b>83</b> 8.35 (.329), vertical				

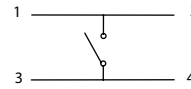
\*Only the straight type termination without ESD pin is available in SMT type  
\* Long life version has to be created case by case as special part number

### TERMINATION

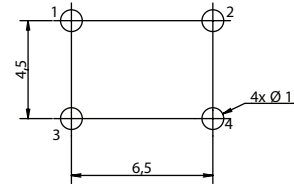
#### S STRAIGHT



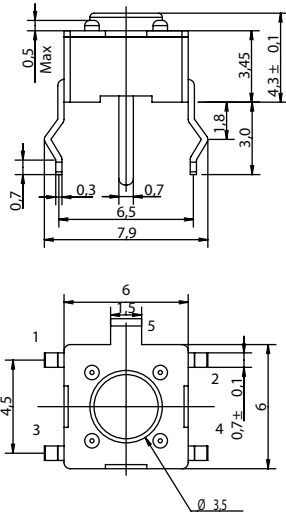
SCHEMATIC



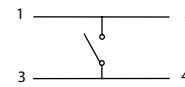
PCB LAYOUT



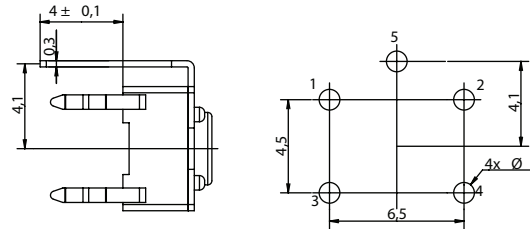
#### T STRAIGHT WITH ESD PIN



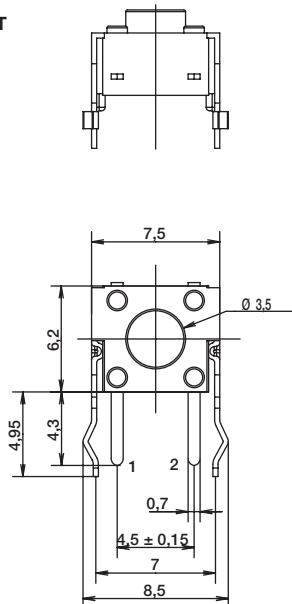
SCHEMATIC



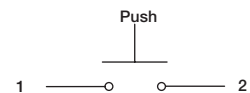
PCB LAYOUT



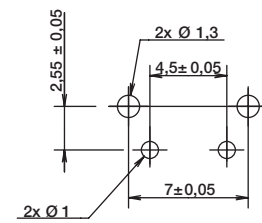
#### V VERTICAL THT



SCHEMATIC



PCB LAYOUT



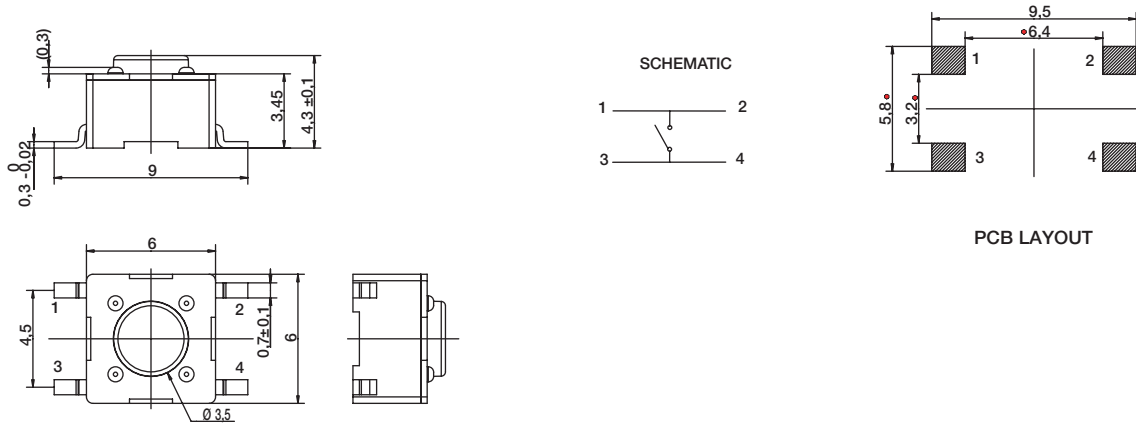
Dimensions are shown: mm  
Specifications and dimensions subject to change

# KSD-PTS645 Series 6 mm\*6mm Tact Switches

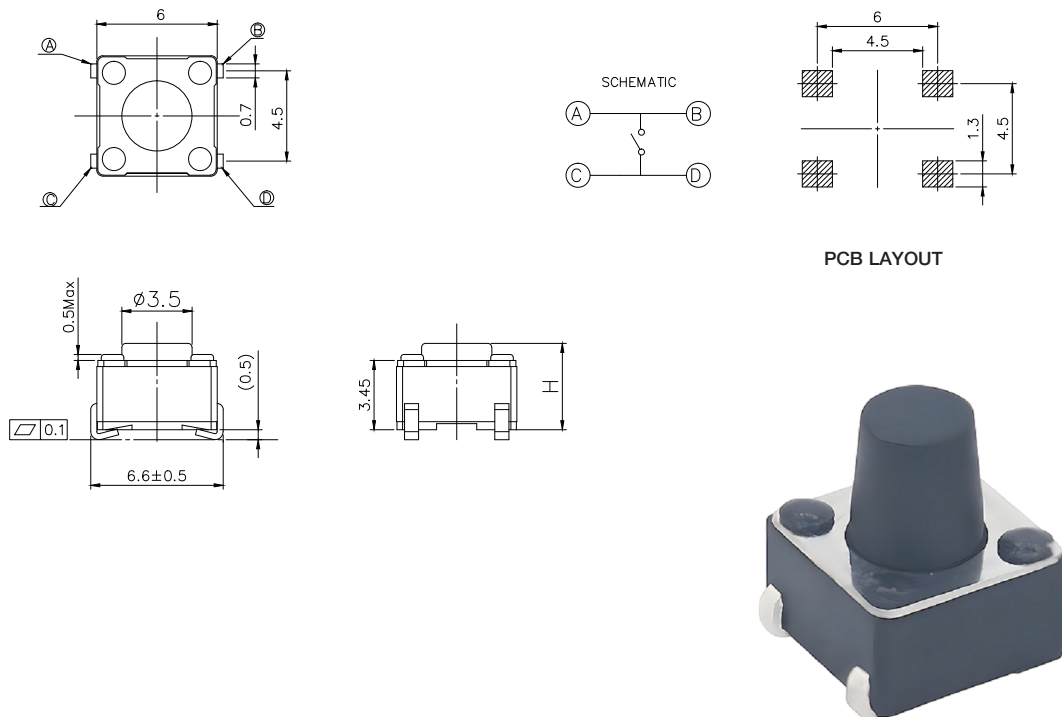


## TERMINATION

### SMT G Type



### SMT J Type



B Tactile Switches

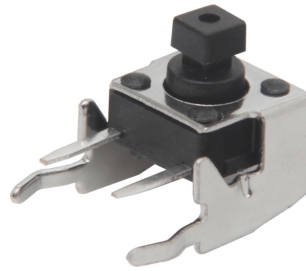
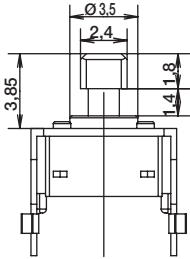


Dimensions are shown: mm  
Specifications and dimensions subject to change

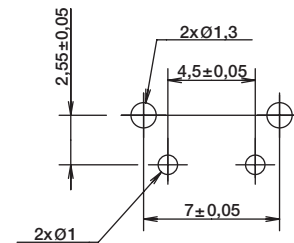
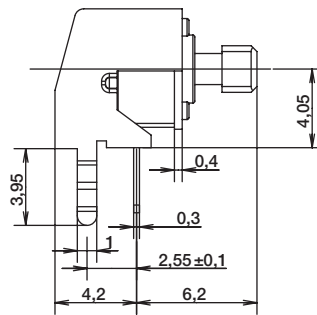
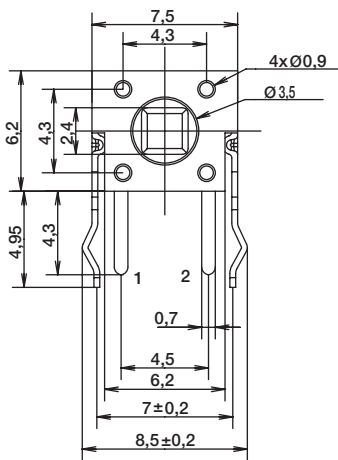
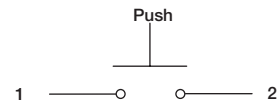
### ACTUATOR SHAPE

#### J SQUARE ACTUATOR

VERTICAL THT - FOR 6.15MM LENGTH ONLY

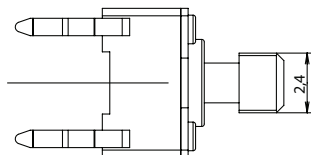
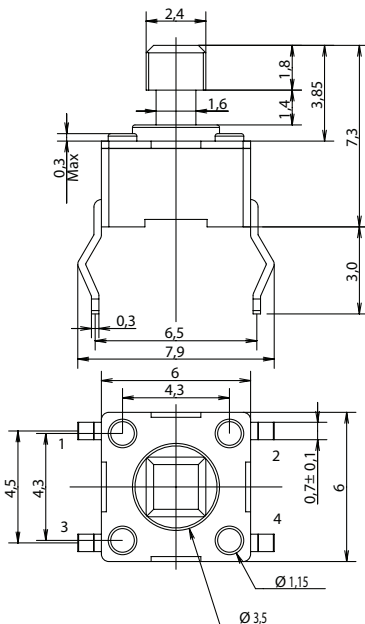


SCHEMATIC

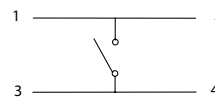


RECOMMENDED PCB LAYOUT

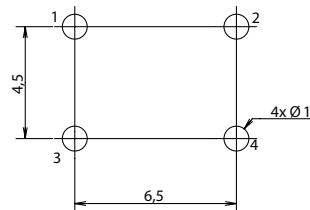
STRAIGHT THT - FOR 7.3MM HEIGHT ONLY



SCHEMATIC



RECOMMENDED PCB LAYOUT



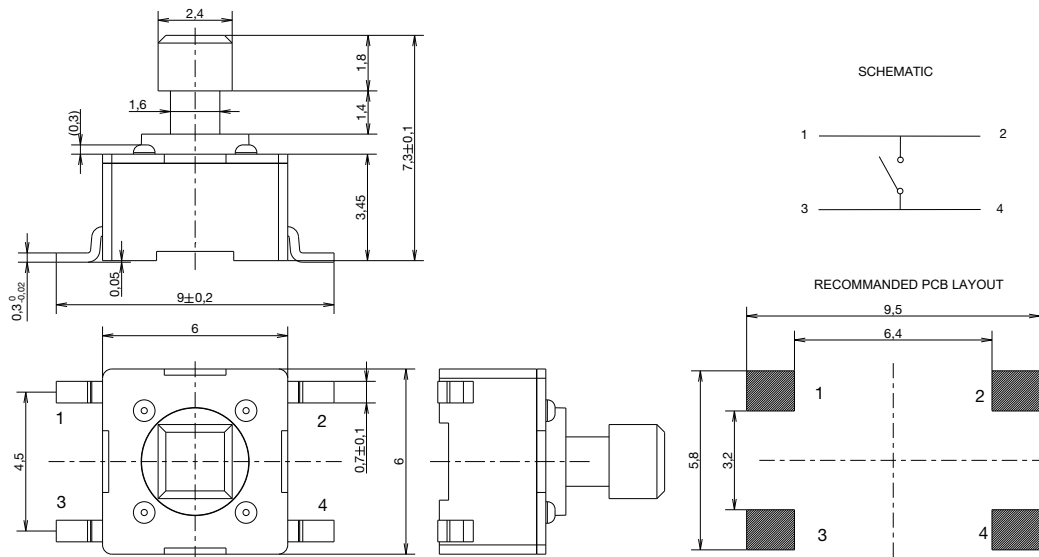
First Angle  
Projection

Dimensions are shown: mm  
Specifications and dimensions subject to change

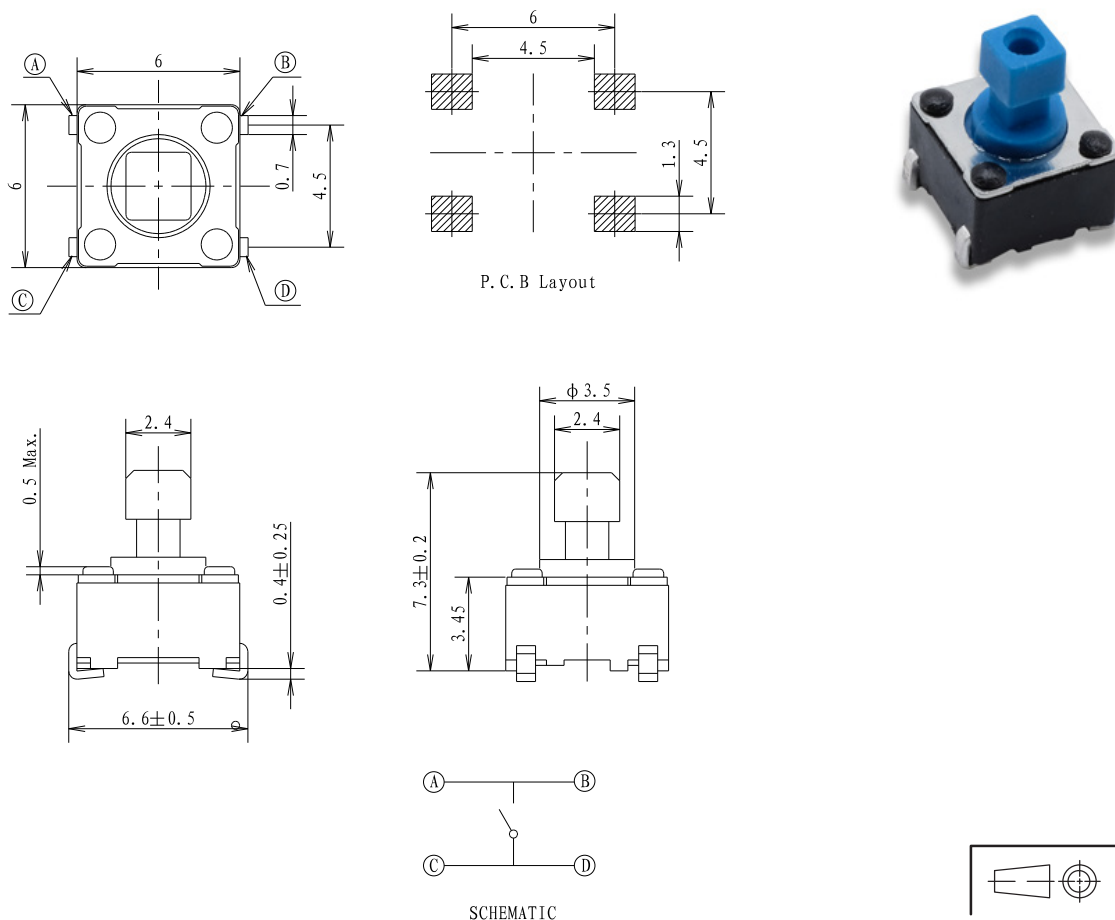
# KSD-PTS645 Series 6 mm\*6mm Tact Switches

## ACTUATOR SHAPE

### STRAIGHT SMT G TYPE - FOR 7.3MM HEIGHT ONLY

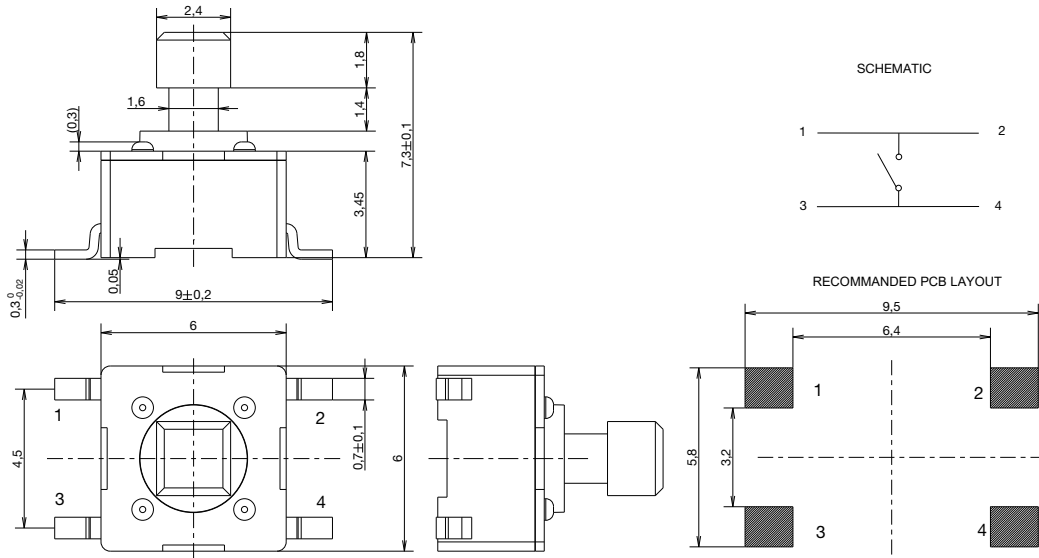


### STRAIGHT SMT J TYPE - FOR 7.3MM HEIGHT ONLY



### ACTUATOR SHAPE

STRAIGHT SMT - FOR 7.3MM HEIGHT ONLY

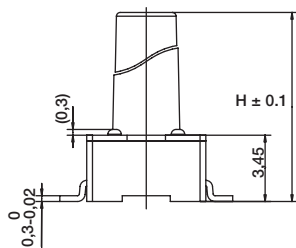


# KSD-PTS645 Series 6 mm\*6mm Tact Switches

## ACTUATION FORCE

OPTION CODE	FORCE
<b>L</b>	130 grams Black
<b>M</b>	160 grams Blue
<b>H</b>	200 grams Gray
<b>K</b>	260 grams Red

## ACTUATOR HEIGHT

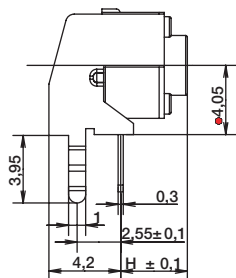


Switch height from PCB for S and T only

OPTION CODE	DIMENSION H	TERMINATION	SCHEMATIC	
			Without EMC pin	With EMC pin
<b>43</b>	4,3 (.169)	Thru-hole and SMT		
<b>50</b>	5,0 (.197)	Thru-hole and SMT		
<b>70</b>	7,0 (.275)	Thru-hole and SMT		
<b>95</b>	9,5 (.374)	Thru-hole and SMT		
<b>13</b>	13,0 (.512)	SMT		



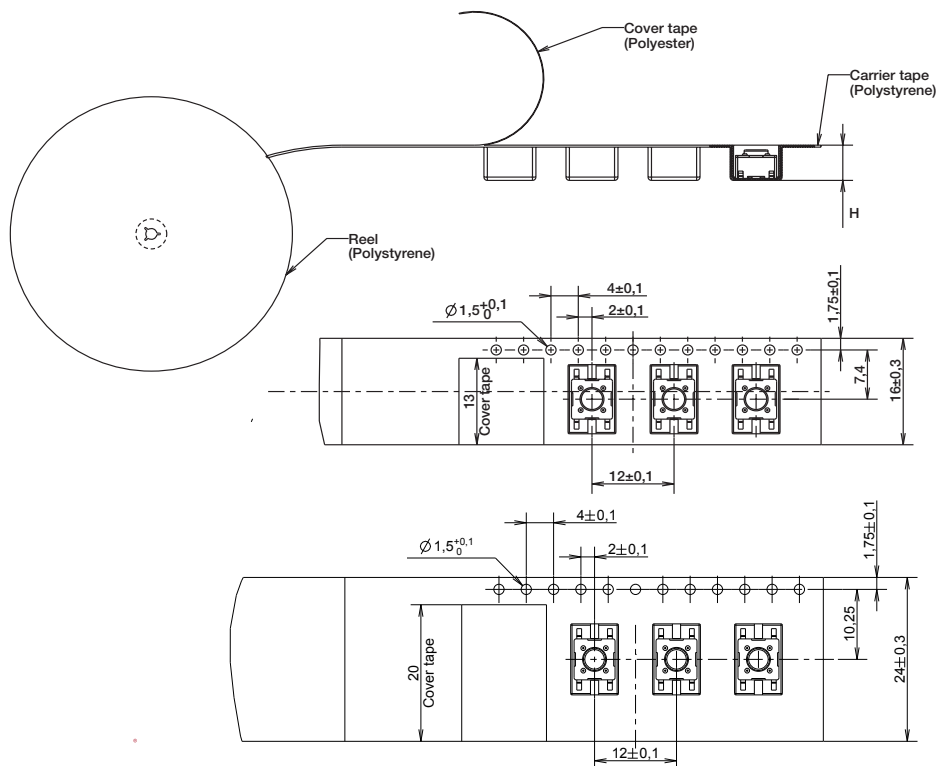
Tactile Switches



Switch length from front leads for V only

OPTION CODE	DIMENSION H	TERMINATION	SCHEMATIC	
			Without EMC pin	With EMC pin
<b>31</b>	3,15 (.124)	Vertical		
<b>39</b>	3,85 (.151)	Vertical		
<b>58</b>	5,85 (.230)	Vertical		
<b>83</b>	8,35 (.329)	Vertical		

## TAPE & REEL FOR SMT G TYPE VERSIONS



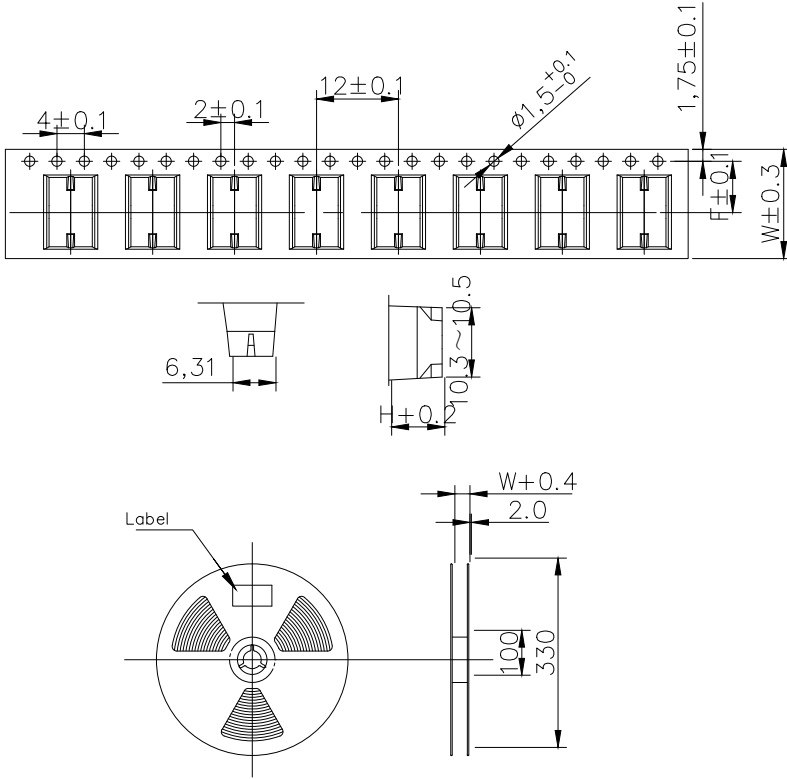
OPTION CODE	WIDTH TAPE	POCKET HEIGHT
<b>43</b>	16 ± 0.3	5.3
<b>50</b>	16 ± 0.3	5.3
<b>70</b>	16 ± 0.3	7.3
<b>73</b>	16 ± 0.3	7.6
<b>95</b>	24 ± 0.3	10.3
<b>13</b>	24 ± 0.3	13.3



Dimensions are shown: mm  
Specifications and dimensions subject to change

### TAPE & REEL FOR SMT J TYPE VERSIONS

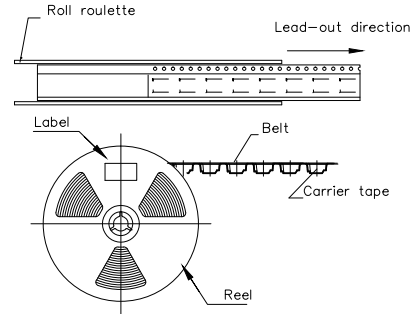
Tactile Switches



#### Tape specifications

Product height (h)mm	Carrier tape width (W)mm	Center distance of carrier tape (F)mm	pcs/reel
4.3	16	7.5	1000
5.0	16	7.5	1000
7.0	16	7.5	700
7.3	16	7.5	700
9.5	24	11.5	500
11	24	11.5	500
13	24	11.5	500

Note: The disc rotates counterclockwise. According to the packing shown in the figure, the braid must not be twisted to prevent product deformation;



First Angle Projection

Dimensions are shown: mm  
Specifications and dimensions subject to change