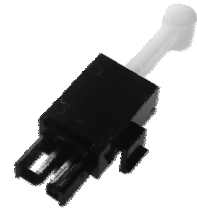


Detector Switch SSS-57 Series

Features

- ◇ Superb reliability by our own sliding contacts mechanism.
- ◇ Light operating force for paper detection.
- ◇ Custom-made of the knob style is possible and please feel free to contact us beforehand.
- ◇ Suitable connector : Tyco 173977-2



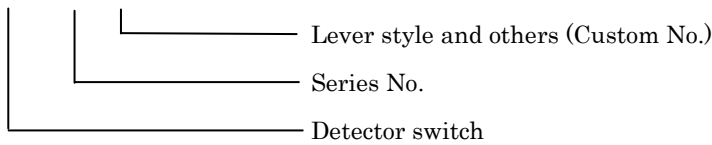
SSS-57-1

Applications

- ◇ Fax paper detection for printers, etc.

Product Number

SSS - 57 - [][]



Products Line

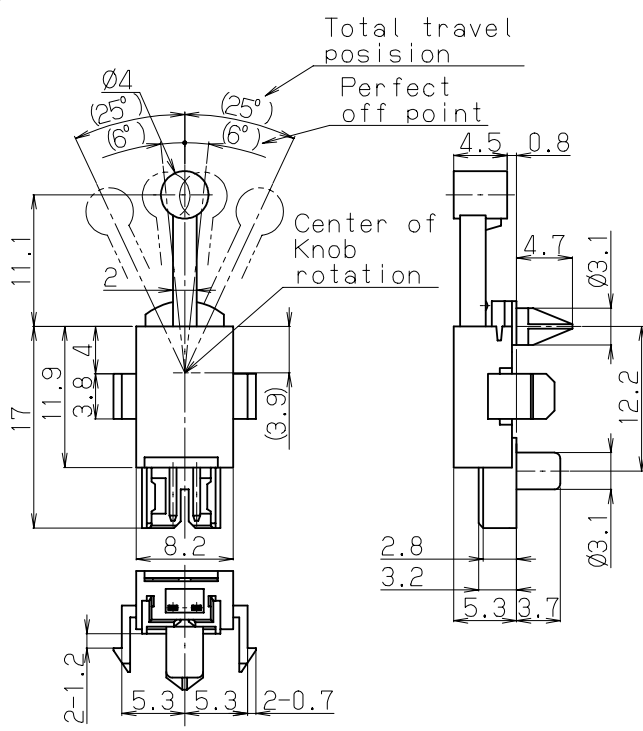
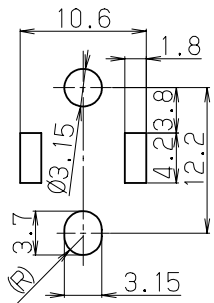
No	Products No.	Operating force	Travel		Connection method	Fixing method
		R direction L direction	ON Range	Total ravel		
1	SSS-57-1	MAX 98mN	12 degree (single side 6 degree)		Connection of connector	Snap in

Typical Specifications

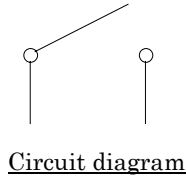
Item	Specifications
Circuit-Position	1 pole - 1 position
Type	Normally Close
Ratings (max.) (Resistive load)	1mA 5V DC
Contact resistance	100 mΩ max.
Operating life	100,000 cycles
Operating temperature range	-10 to +70 degree Celsius
Storage temperature range	-30 to +80 degree Celsius

Dimensions

Unit : mm

No	Style	P.C.B mounting hole Dimensions Terminal style (TOP VIEW)
1	<p>SSS-57-1</p>  <p>Labels in drawing: Total travel position, Perfect off point, Center of Knob rotation, Ø4, (25°), (6°), 11.1, 2, 17, 11.9, 3.8, 4, 8.2, 2-1.2, 5.3, 5.3, 2-0.7, 4.5, 0.8, 4.7, Ø3.1, 12.2, 2.8, 3.2, 5.3, 3.7, Ø3.1.</p>	 <p>Dimensions in P.C.B view: 10.6, 1.8, 4.2, 3.8, 12.2, Ø3.15, 3.7, 3.15.</p>

◇ Circuit diagram



□ Notes

1. The appearance and specifications of the product may be modified to improve its performance without prior notice.
2. This catalog shows only outline specifications. When using the product, please obtain formal specifications.
3. Please see appendix [Cautions in Using Switches].
4. This lever switch is not washable.
5. In case circuit and software design consideration against chattering and bouncing shall be taken as below.
 - Read a few times. (Ex. 5ms for 5 times)
 - Set delay time.
 - Set integral circuit.
6. As to threshold voltage, center setting is recommended.
7. Care shall be taken not to apply stress to the body of switch as it may affect the performance.