



Features/Benefits

- Construction with standard dimension 12x12 mm overall size
- Gold plating contacts
- SMT termination design
- Unique click & a sealed contact system
- 360 gf, 680 gf & 970 gf versions

Typical Applications

- Measurement-control-regulation
- Monitoring system
- Automotive (steering wheel, mid-console, window lifter)
- Navigation
- Disposable medical devices
- Patient monitoring
- Scan system

Specification

FUNCTION: Momentary action
 CONTACT ARRANGEMENT: 1 make contact = SPST NO
 TERMINALS: Gold plating, G type for SMT and THT for manual soldering
 TRAVEL:

OPERATING FORCE	TRAVEL
360 ± 70 gf	0.6 ± 0.2 mm
680 ± 160 gf	0.7 ± 0.2 mm
970 ± 250 gf	0.8 ± 0.2 mm

Mechanical

Operating life with load	300,000 cycles
Operating life without load	1,000,000 cycles

Electrical

MAXIMUM VOLTAGE: 35 VDC
 MAXIMUM CURRENT DC: 100 mA
 MAXIMUM POWER DC: 1W
 CONTACT RESISTANCE: 100 mΩ
 INSULATION RESISTANCE: 1000 MΩ min.
 DIELECTRIC VOLTAGE: < 0.5 mA

Environmental

OPERATING TEMPERATURE: -40°C to +90°C
 STORAGE TEMPERATURE: -40°C to +80°C

Process

SOLDERING: This component is suited to the following methods:
 Infrared Reflow Soldering in accordance with IEC61760-1

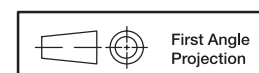
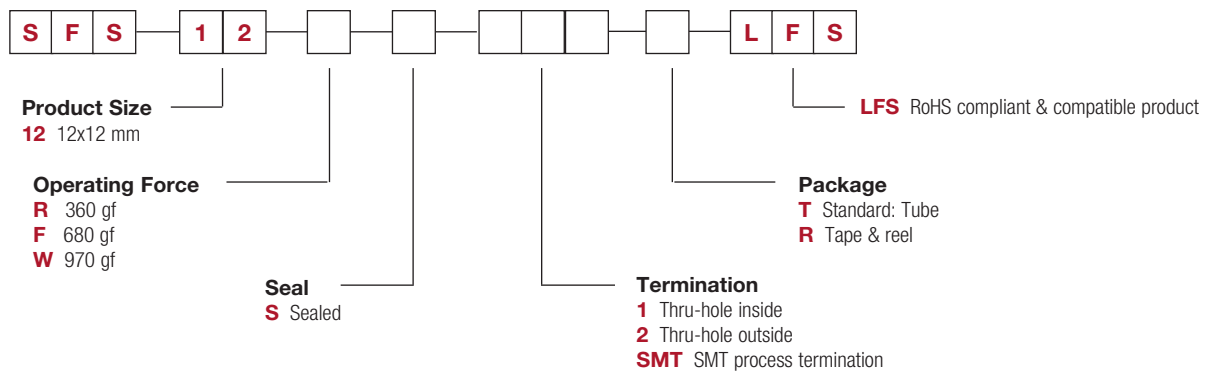
Packaging

700 pieces per reel
 58 pieces per tube

How To Order

Our easy build-a-switch concept allows you to mix and match options to create the switch you need. To order, select desired option from each category and place it in the appropriate box.

For any part number different from those listed above, please consult your local representative.



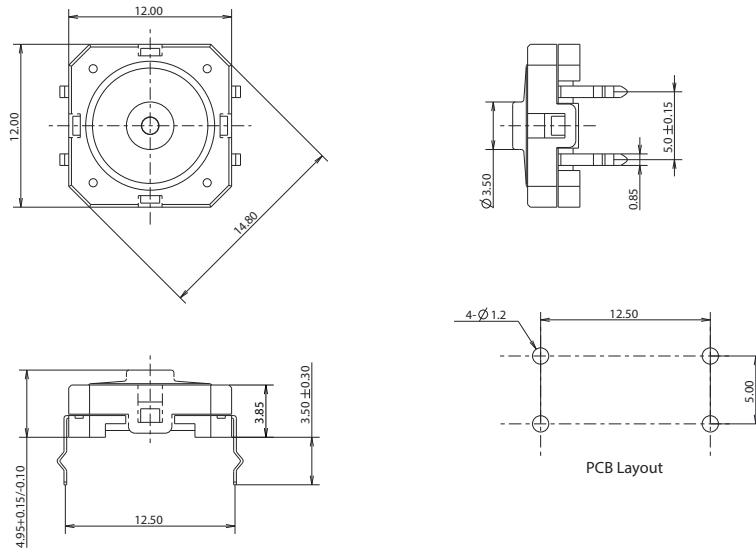
Dimensions are shown: mm
 Specifications and dimensions subject to change

SFS Series Mid-Travel, Soft Sound Tact Switch

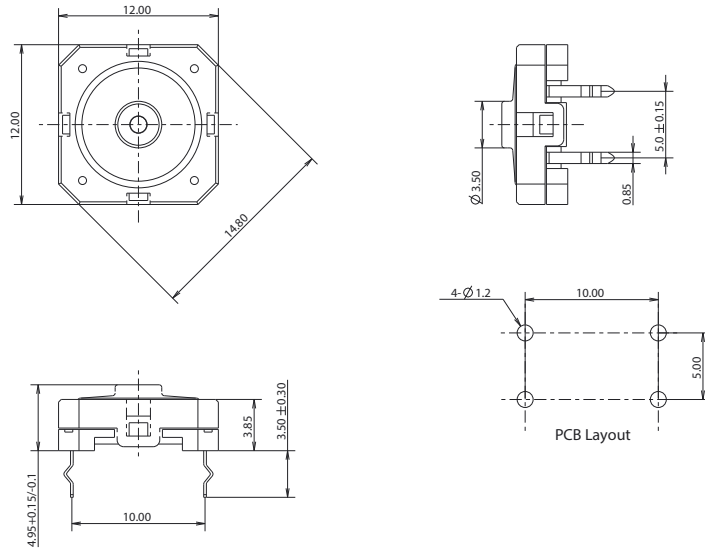
NEW

KSD
SWITCH CONNECTOR

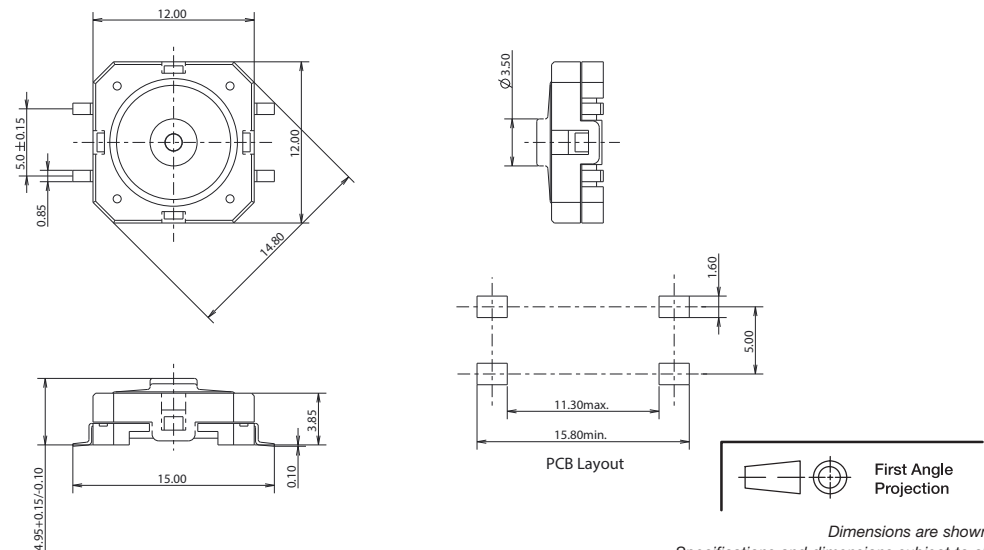
SFS12XS2T LFS



SFS12XS1T LFS



SFS12XSSMTX LFS



Dimensions are shown: mm
Specifications and dimensions subject to change

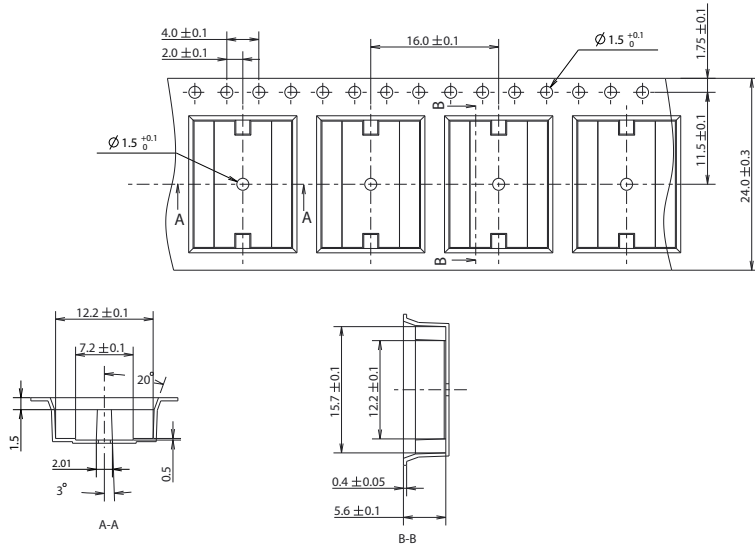
SFS Series Mid-Travel, Soft Sound Tact Switch

NEW

KSD
SWITCH CONNECTOR

Tactile Switches

B



First Angle
Projection

Dimensions are shown: mm
Specifications and dimensions subject to change