

### Features/Benefits

- Rubber actuator
- Silver contact material
- J or G terminals
- Compatible with pick and place machines

- IP40 sealed
- RoHS compliant and compatible

### Typical Applications

- Front panel
- Car dashboards
- Telephone set
- Instrumentation



### Specification

FUNCTION: Momentary  
CONTACT ARRANGEMENT: 1 make contact = SPST N.O.  
TERMINALS: J BEND OR GULLWING TYPE FOR SMT

### Mechanical

MAXIMUM APPLIED FORCE: 4 KG (4078GF)\*  
\* VALID ONE TIME. MAXIMUM ALLOWED TRAVEL TO AVOID OVERLOAD ISSUES  
IS 1.75MM

Type	Operating force Fa N (grams)±30%	Operating life (operations)	Travel to make
KST221G / J	1,6-3,2	100,000	1,3+0,3/-0.2
KST241G / J	2,45-4,55	100,000	1,3+0,3/-0.2

### Packaging

Switches are delivered on continuous tape and reels of 1,000 pieces, 330 (12.992) external diameter. Other dimensions according to IEC 60286-3.

This data sheet does not provide enough information for applications which require a certain level of quality or safety such as automotive, medical systems, safety equipment.  
Please contact your sales representative to get contractual specification package.

### Electrical

SWITCHING POWER MAX.:	1.0 VA	0.2 VA
MAXIMUM POWER:	1.0 VA	0.2 VA
MAXIMUM VOLTAGE:	32 VDC	32 VDC
MINIMUM VOLTAGE:	20 MV	20 MV
MAXIMUM CURRENT:	50 MA	10 MA
MINIMUM CURRENT:	1 MA	1 MA
DIELECTRIC STRENGTH:	≥ 250 Vrms	
CONTACT RESISTANCE:	< 100mΩ	
INSULATION RESISTANCE:	Initial measurement: ≥ 1GΩ	
	After damp heat: ≥ 10MΩ	
BOUNCE TIME:	< 5 ms	

### Environmental

OPERATING TEMPERATURE: -40°C to +85°C (Silver)  
-40°C to +125°C (Gold)

STORAGE TEMPERATURE: -40°C to +85°C (Silver)  
-40°C to +125°C (Gold)

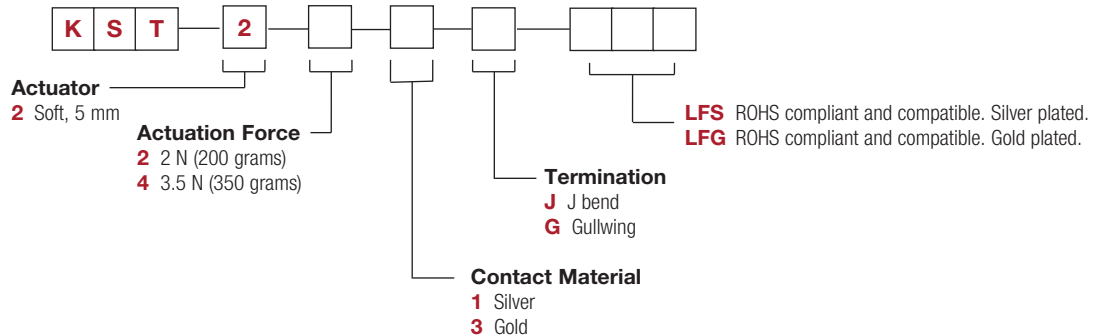
### Process

Compatible with the lead free reflow soldering process.

**NOTE:** Specifications listed above are for switches with standard options.  
For information on specific and custom switches, consult Customer Service Center.

### How To Order

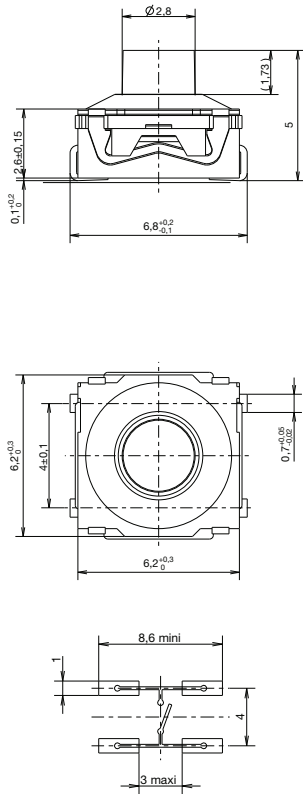
Our easy build-a-switch concept allows you to mix and match options to create the switch you need. To order, select desired option from each category and place it in the appropriate box.



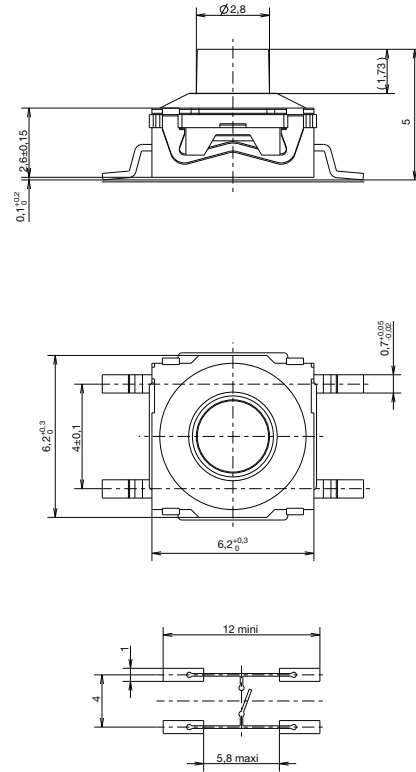
# KSD-KST Series Long Travel Tact Switch for SMT



## J J BEND



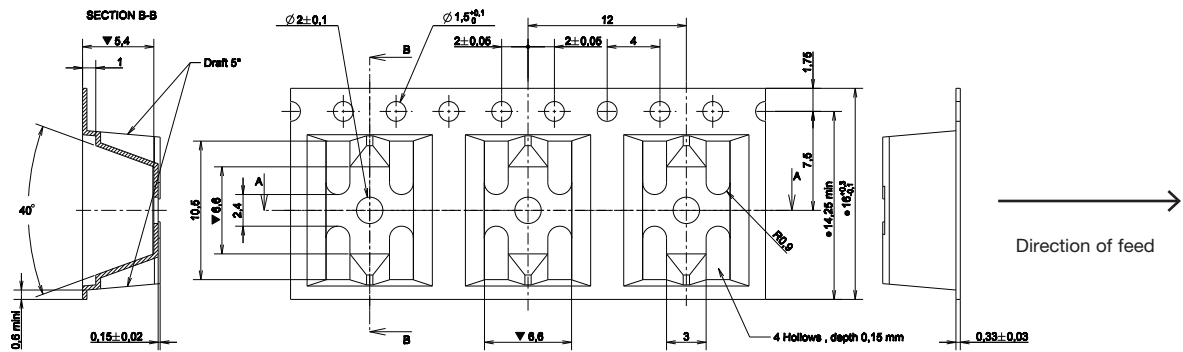
## G GULLWING



Tactile Switches

## TAPE & REEL

### FOR J AND G TERMINATION



Dimensions are shown: mm  
Specifications and dimensions subject to change