



KSD

SWITCH CONNECTOR



SPECIFICATIONS

CONTACT RATING: 0.4 VA max. @ 20 V AC or DC.

MECHANICAL & ELECTRICAL LIFE:

100,000 actuations min. at full load.

CONTACT RESISTANCE: 200 mΩ max. (initial value)
@ 2-4VDC, 100mA .

INSULATION RESISTANCE: 100 MΩ min./1000VDC

DIELECTRIC STRENGTH: 500 Vrms min. @sea level. (initial value)

OPERATING TEMPERATURE: -30°C to 85°C.

MATERIALS

HOUSING: Nylon 6/6 (UL 94V-0)

ACTUATOR: Nylon 6/6 (UL 94V-0)

MOVABLE CONTACT: Copper, gold plate over nickel plate.

FIXED CONTACT: Brass, gold plate over nickel plate.

WIRE: UL 10602-24 AWG.

HOW TO ORDER

MODEL NO.	ACTUATOR	FUNCTION	WIRE LENGTH	HEAT SHRINK TUBE	HOUSING	JUMP
PS92	1 10.40 high, Flat 2 10.00 high, Round 3 9.50 high, Flat	2 ON - (OFF)	120 120mm (std)	0 No 1 Yes	0 No 1 2P 2 2P Lock 3 3P 4 3P Lock	0 No 1 1.3 2 2.3

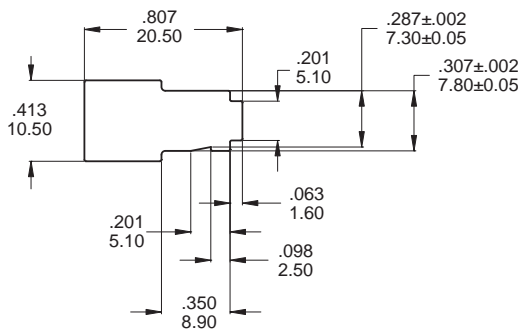
Note: Please consult sales for additional wire options.

EXAMPLE: KSD-PS9222-1200-00 (STD)

▼ SWITCH FUNCTION & PANEL CUTOUT

MODEL NO.	POS.1	POS.2
PS92	ON	(OFF)
SCHEMATIC		

()=MOMENTARY



Panel thickness: .039inch(1mm) max.

▼ DIMENSION

