

## Features/Benefits

- Spherical actuator allows actuation force off center  $\pm 30^\circ$  with regard to vertical
- RoHS compliant and compatible
- Designed for mechanisms
- Compliant side actuation

## Typical Applications

- Automotive
- Cranes, off road, railway
- Factory automation
- Security systems



## Specification

FUNCTION: Momentary action  
 CONTACT ARRANGEMENT: 1 make contact = SPST, N.O.  
 DISTANCE BETWEEN BUTTON CENTERS (min.): 7.62 (0.300)  
 TERMINALS: PC pins  
 SEALING: IP60

## Environmental

	Silver	Gold
OPERATING TEMPERATURE:	-40°C to 85°C	-40°C to 125°C
STORAGE TEMPERATURE:	-40°C to 85°C	-55°C to 125°C

## Packaging

Delivered in boxes of 250 pieces.

## Mechanical

Type	Actuation force N (grams)	Operating life (operations) axial	Operating life (operations) radial	Travel to make (mm)
KSJ0M21160SH	2 $\pm$ 0,5	100,000	30,000	0,6 $\pm$ 0,3
KSJ0M41180SH	3,0 $\pm$ 0,8	100,000	30,000	0,55 $\pm$ 0,25
KSJ0M21180SH	2 $\pm$ 0,5	100,000	30,000	0,35 $\pm$ 0,2
KSJ0M91180SH	3,9 $\pm$ 0,8	100,000	30,000	0,7 $\pm$ 0,25

## Electrical

	Silver	Gold
MAXIMUM POWER:	1 VA	0.2 VA
MAXIMUM VOLTAGE:	32 VDC	32 VDC
MINIMUM VOLTAGE:	20 mV	20 mV
MAXIMUM CURRENT:	50 mA	10 mA
MINIMUM CURRENT:	1 mA	1 mA
DIELECTRIC STRENGTH (50 Hz, 1 min.): $\geq 250$ Vrms		
CONTACT RESISTANCE: $\leq 100$ m $\Omega$		
INSULATION RESISTANCE (100V): $\geq 10^9$ ohms		
BOUNCE TIME: $\leq 1$ ms		

## Process

Wave soldering, compatible with lead free soldering profile.

**NOTE:** Specifications listed above are for switches with standard options.  
 For information on specific and custom switches, consult Customer Service Center.

This data sheet does not provide enough information for applications which require a certain level of quality or safety such as automotive, medical systems, safety equipment. Please contact your sales representative to get contractual specification package.

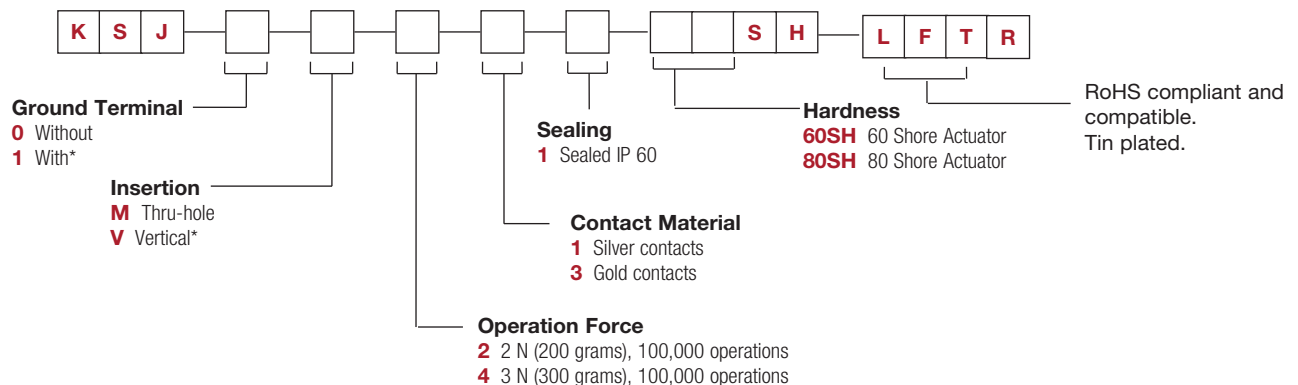
\* Please contact your C&K representative for any question regarding the product integration.

## How To Order

Our easy build-a-switch concept allows you to mix and match options to create the switch you need. To order, select desired option from each category and place it in the appropriate box.

**However, please note that all the combinations of these options are not feasible.**

**For any part number different from those listed in the table above, please consult your local representative.**

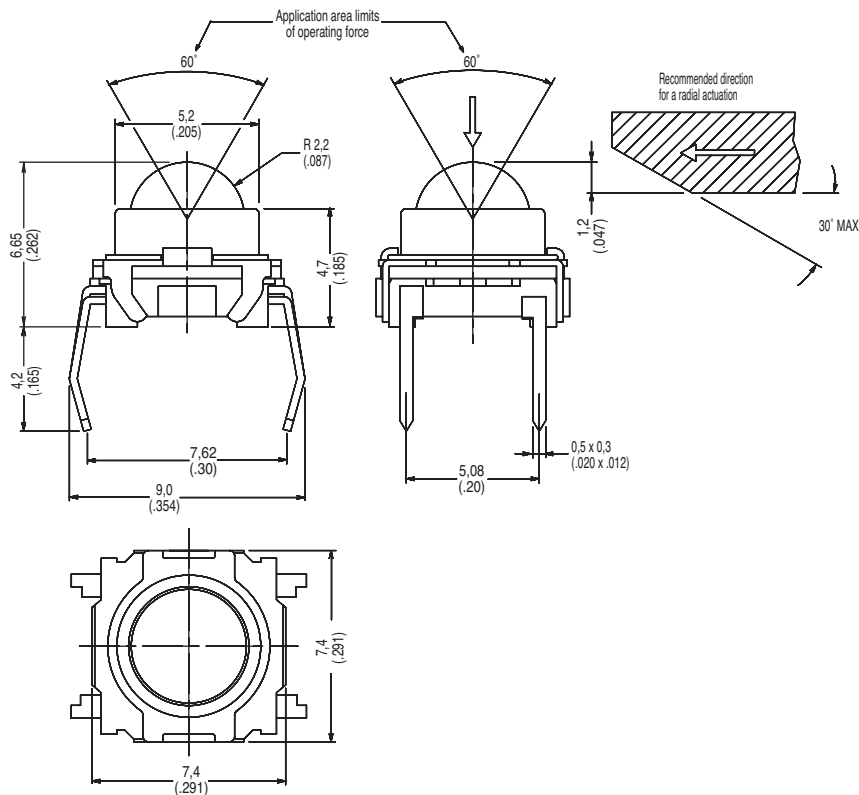


\*Note: "1" ground terminal option not available with "V" version.  
 The bracket for the "V" version plays this role.

# KSD-KSJ Series Spherical Actuator Tact Switches



**KSJ**



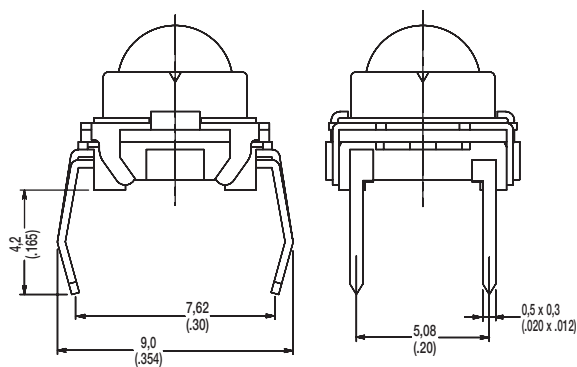
**KSD-KSJ0M211**

Tactile Switches

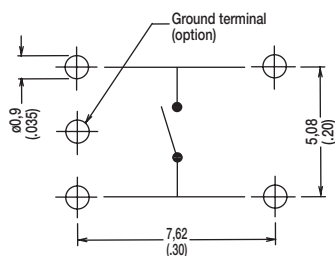
**B**

## INSERTION

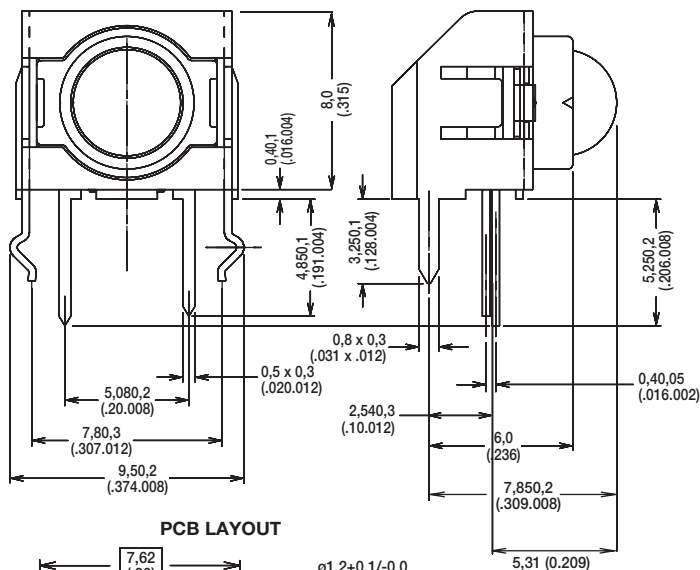
**M THRU-HOLE**



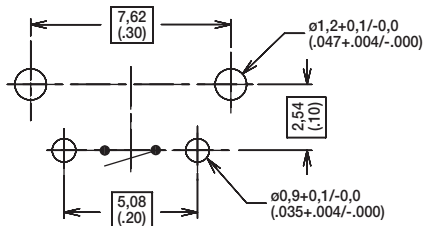
**PCB LAYOUT**



**V VERTICAL**



**PCB LAYOUT**



Dimensions are shown: mm  
Specifications and dimensions subject to change