

# KSD-FDSE Series Micro Mini Angled Actuated Detect Switches



### Features/Benefits

- Extremely small package size
- Angled Actuation
- Flat or Bending Terminations
- Long Travel Type
- RoHS Compatible and Compliant

### Typical Applications

- Consumer electronics
- Medical devices
- Safety control devices

### Specifications

CONTACT RATING: 100  $\mu$ A @ 3VDC, 1 mA @ 5 VDC  
 MECHANICAL & ELECTRICAL LIFE: 50,000 operations  
 CONTACT RESISTANCE: 3  $\Omega$  max  
 INSULATION RESISTANCE: 100M  $\Omega$  min 100 VDC  
 DIELECTRIC STRENGTH: 100VAC @ 1 minute  
 OPERATING TEMPERATURE: -40°C to +85°C  
 OPERATING FORCE: 35 gf max.  
 TRAVEL: 3.14 mm or 60°  
 SOLDERABILITY: According to lead free solder profiles  
 PACKAGING: 2,000 pieces per reel.

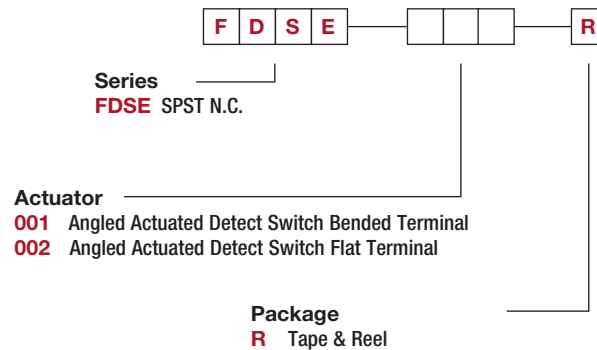
### Materials

BASE: PA9T  
 COVER: C7701R  
 ACTUATOR: PA 46  
 MOVABLE CONTACT: Beryllium Copper  
 TERMINALS: Phosphor Bronze, Ag over Ni Plating

**NEW**

### Build-A-Switch

Complete part numbers for FDSE Series are shown below.

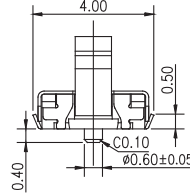
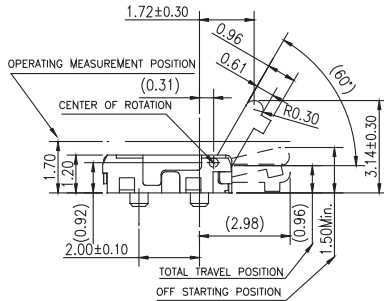
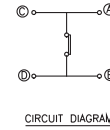
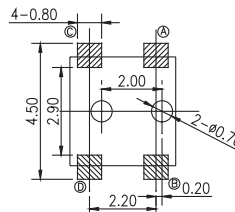
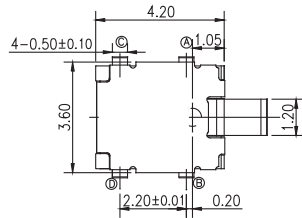
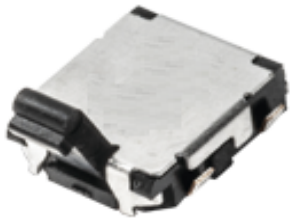


Detect

Dimensions are shown: mm  
 Specifications and dimensions subject to change

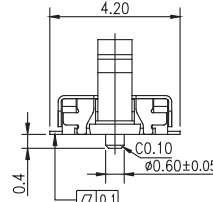
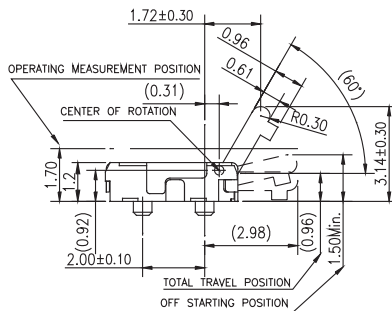
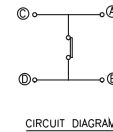
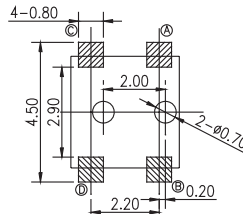
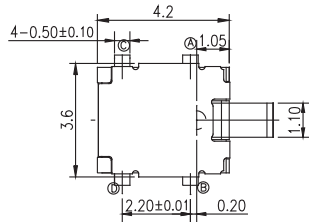
## SERIES

### FDSE001R

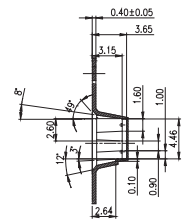
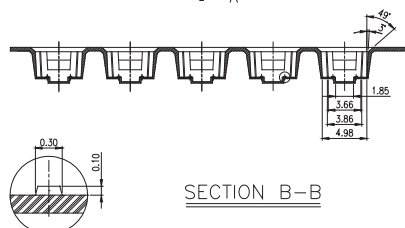
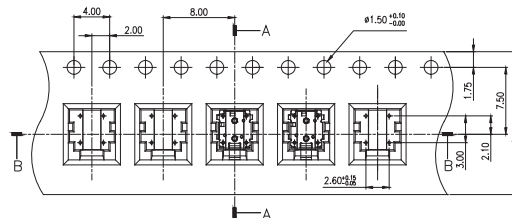
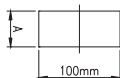
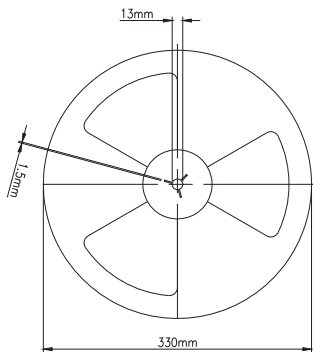


**NEW**

### FDSE002R



## TAPE & REEL



SECTION A-A

SECTION B-B



Detect