

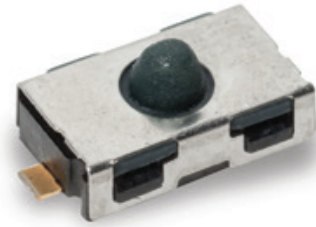
# ATS Series Anti-Tampering Detect Switches

## Features/Benefits

- Normally closed function
- Vertical detect
- Reliable long time compression
- IP54
- Tape & reel
- RoHS compliant and compatible

## Typical Applications

- Smart meters
- Alarm systems
- Anti-tamper devices



## Specifications

FUNCTION: Momentary action.  
CONTACT TYPE: SPST Normally Closed.  
TERMINALS: Gullwing type for SMT.

## Mechanical

SWITCHING FORCE:  $\leq 2$  N  
TRAVEL TO BREAK: 0,7 mm  
TOTAL TRAVEL: 1,1 mm

## Packaging

Switches are delivered on continuous tape, in reels of 2,000 pieces

## Electrical

	GOLD	SILVER
MAXIMUM POWER:	0.2 VA	1 VA
MAXIMUM VOLTAGE:	32 VDC	32 VDC
MINIMUM VOLTAGE:	20 mVDC	20 mVDC
MAXIMUM CURRENT:	10 mA	50 mA
MINIMUM CURRENT:	1 $\mu$ A	1 mA
CONTACT RESISTANCE:	$\leq 350$ m $\Omega$	
INSULATION RESISTANCE:	$> 1$ G $\Omega$	
DIELECTRIC STRENGTH:	$\geq 250$ Vrms	

## Environmental

	GOLD	SILVER
OPERATING TEMPERATURE:	-40°C to +125°C	-40°C to +85°C
STORAGE TEMPERATURE:	-55°C to +125°C	-40°C to +85°C

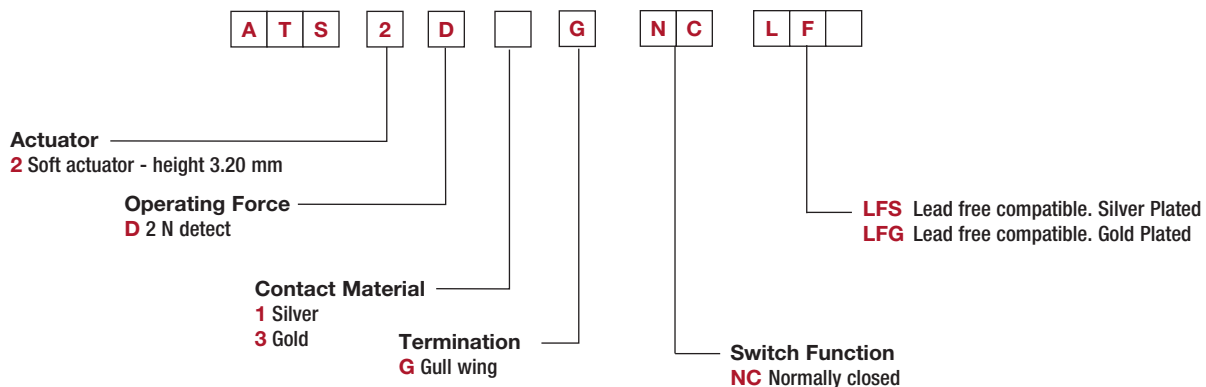
## Process

SOLDERING: Compatible with lead free reflow process

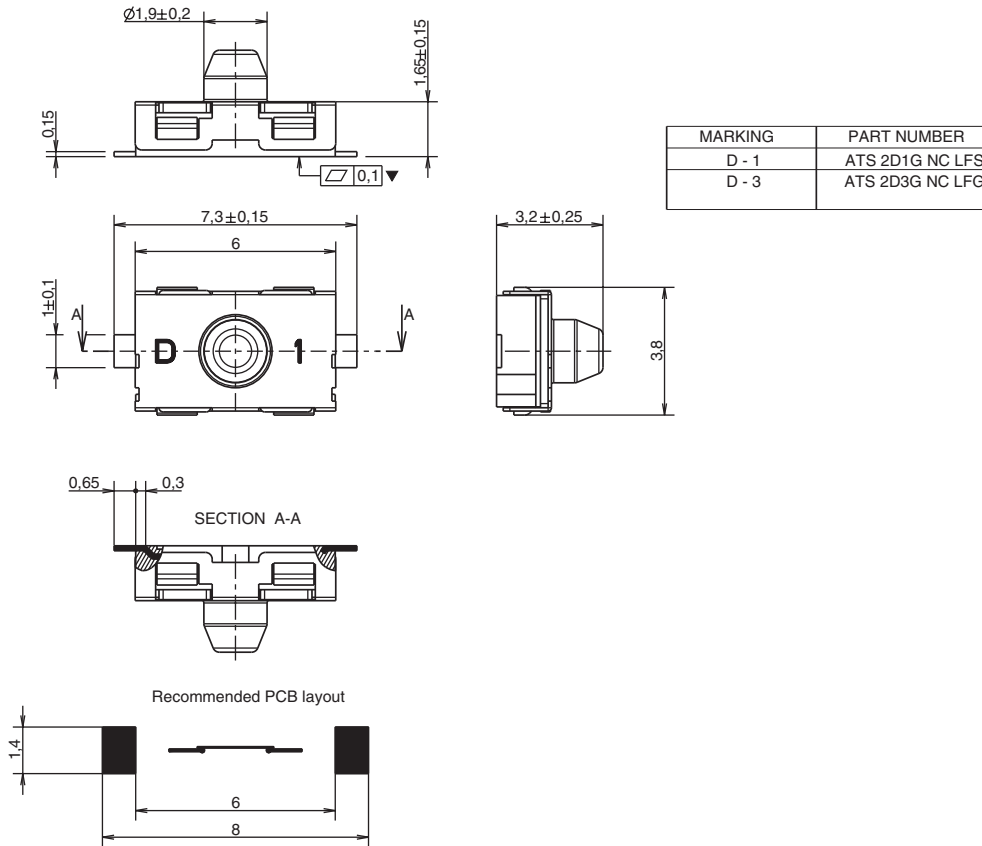
**NOTE:** Specifications listed above are for switches with standard options.  
For information on specific and custom switches, consult Customer Service Center.

## Build-A-Switch

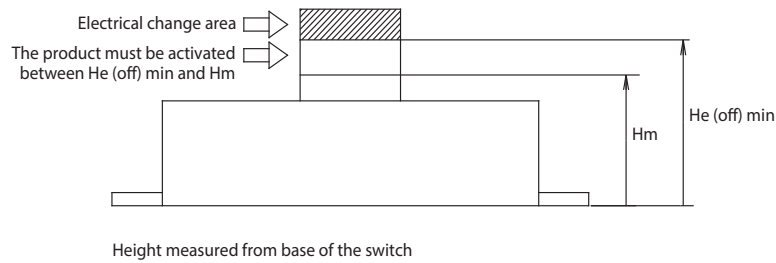
To order, simply select desired option from each category and place in the appropriate box. Available options are shown and described on the next page. For additional options not shown in catalog, consult Customer Service Center.



## SERIES



## CHARACTERISTICS



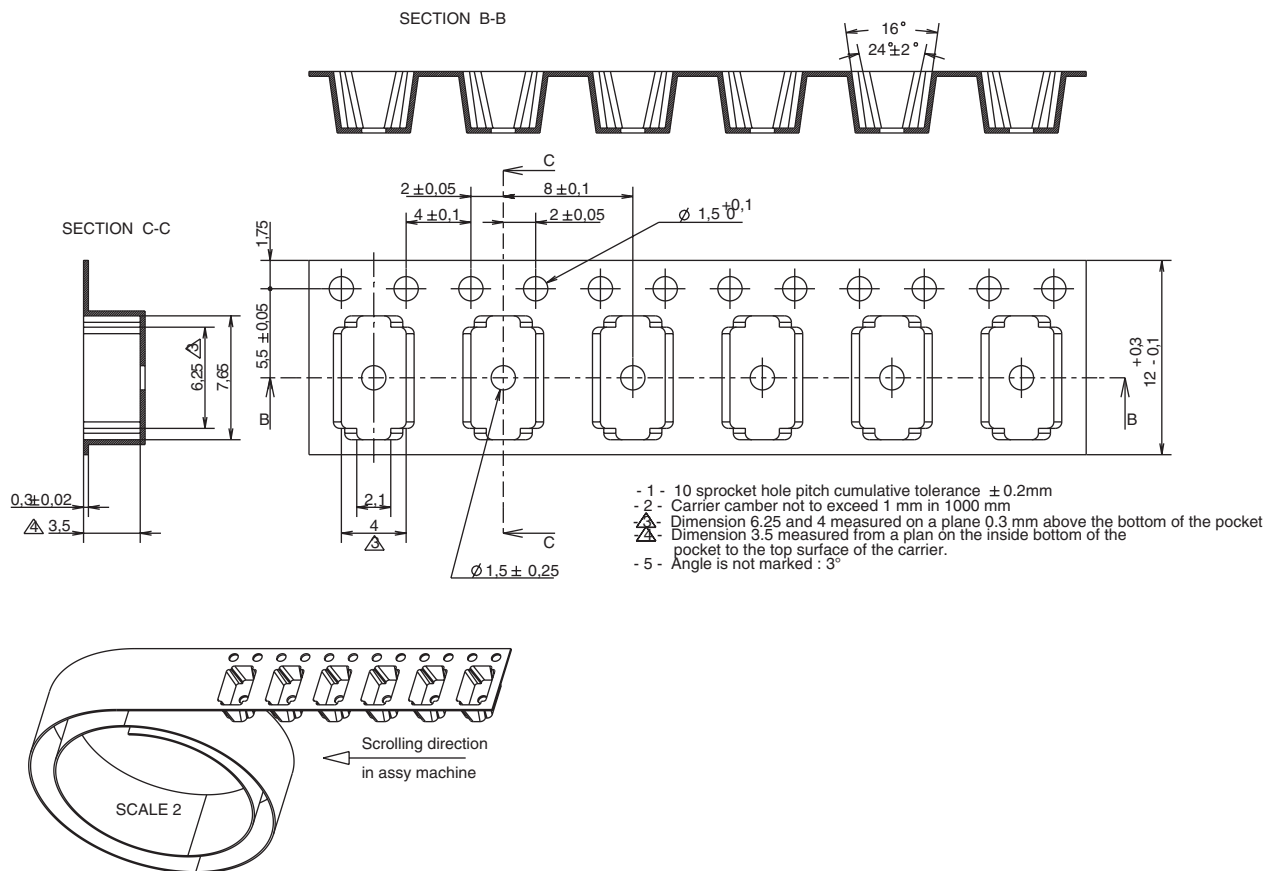
Minimum Activation Height (Hm)	Maximum force at Hm = 6N Switch damage can occur if product is actuated below minimum actuation height (Hm)	2.1 mm
Minimum Electrical Height (He (OFF) min)	Product height for contact opening Contact closing: the switch must be completely release	2.5 mm



Detect

# ATS Series Anti-Tampering Detect Switches

## TAPE & REEL



m

Detect