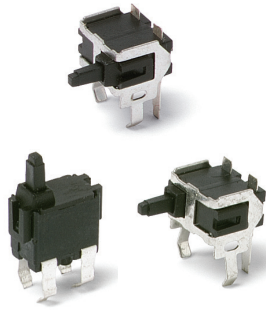


# KSD-DDS Series Micro Mini Thru-hole Detect Switches



## Features/Benefits

- Vertical or horizontal actuation
- 2mm overtravel—Ideal for detector applications
- Low actuations force (less than 40 grams)
- RoHS compliant and compatible

## Typical Applications

- Detect the presence of a mechanical device
- Medical devices
- Consumer electronic devices

## Specifications

CONTACT RATING: 0.1A @ 30 VDC.  
MECHANICAL & ELECTRICAL LIFE: 50,000 cycles.  
CONTACT RESISTANCE: 150 m  $\Omega$  max. initial.  
INSULATION RESISTANCE: 100 M  $\Omega$  min. @ 100 VDC.  
OPERATING TEMPERATURE: -40°C to +85°C.  
DIELECTRIC STRENGTH: 100 volts AC @ 60 Hz.  
PACKAGING: Bulk.

## Materials

HOUSING: P.P.S.  
ACTUATOR: PA66  
MOVABLE CONTACT: Tin bronze, silver plated.

**NOTE:** Specifications and materials listed above are for switches with standard options. For information on specific and custom switches, consult Customer Service Center.

## How To Order

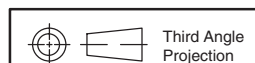
Part number list is shown below. For individual part details, please refer to the following pages.

Part Number (Part Description)	Product Details
DDS001	Micro mini thru-hole detect switches top actuated
DDS002	Micro mini thru-hole detect switches side actuated right
DDS003	Micro mini thru-hole detect switches side actuated left
DDS004	Micro mini SMT detect switches top actuated



m

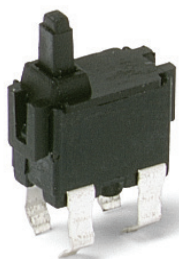
Detect



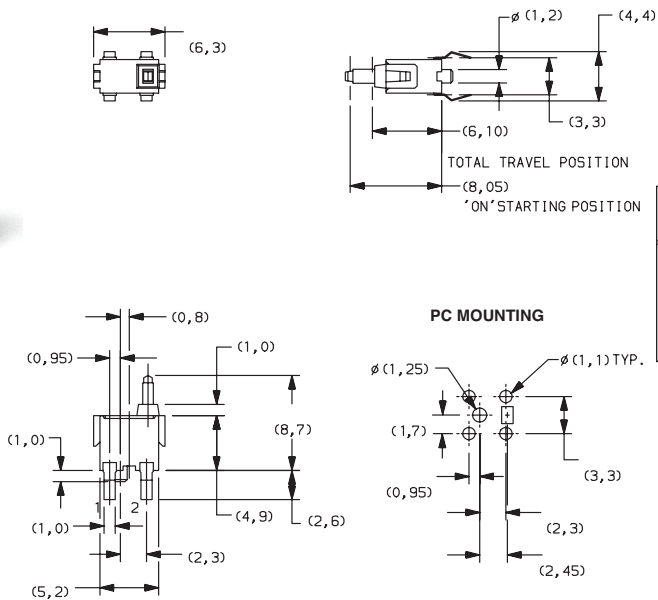
Dimensions are shown: mm

Specifications and dimensions subject to change

Complete part numbers for DDS Series Switches are shown below.

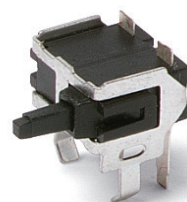
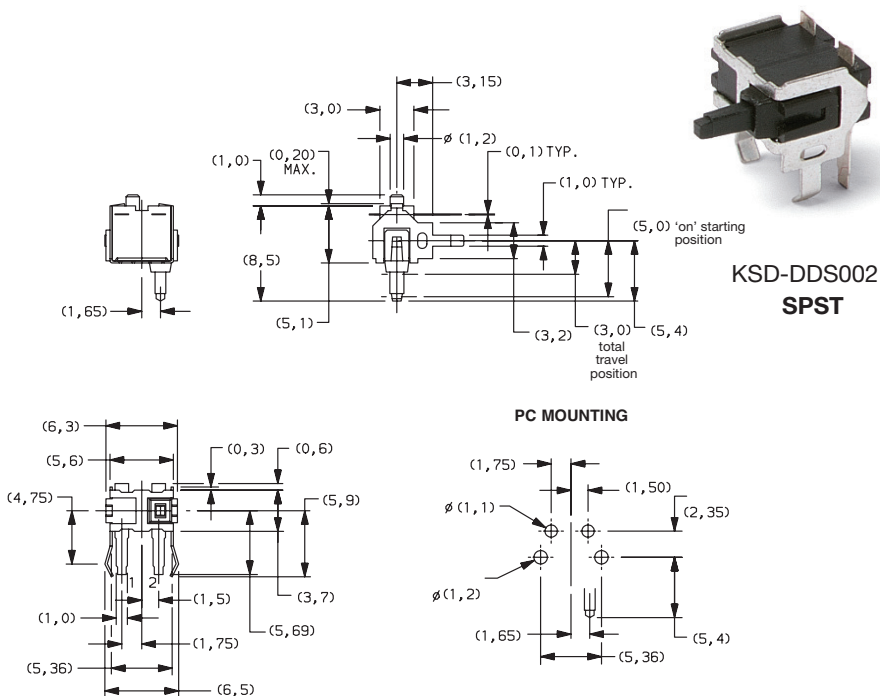


**KSD-DDS001  
SPST**

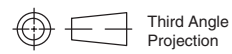


PART NUMBER	DESCRIPTION	SCHEMATIC
<b>DDS001</b>	Vertical Actuator	 SPST N.O.

PART NUMBER	DESCRIPTION	SCHEMATIC
<b>DDS002</b>	Right angle, actuator right	 SPST N.O.



**KSD-DDS002  
SPST**



Dimensions are shown: mm  
Specifications and dimensions subject to change

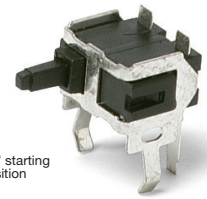
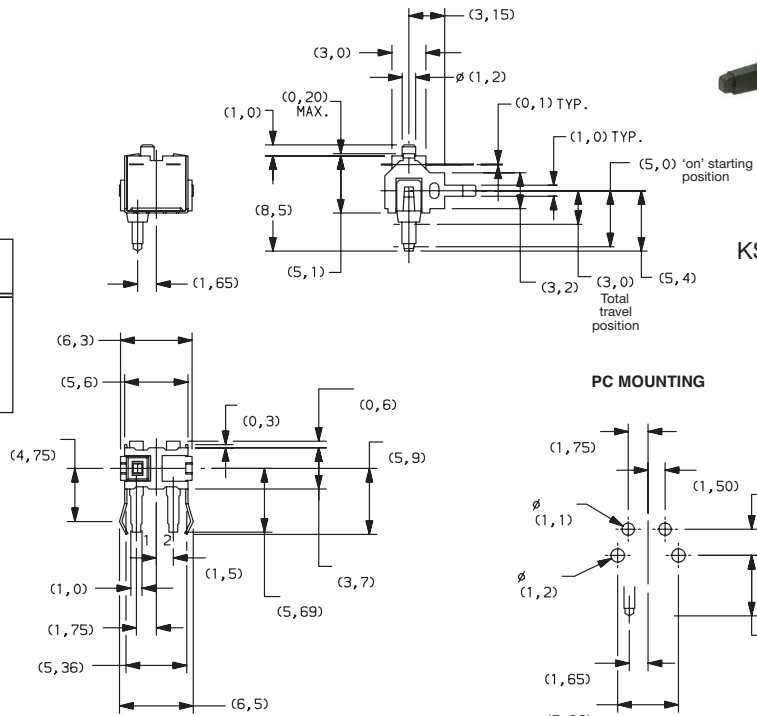


Detect

# KSD-DDS Series Micro Mini Thru-hole Detect Switches

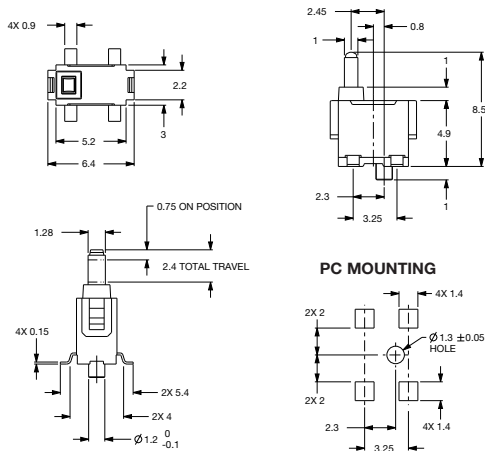
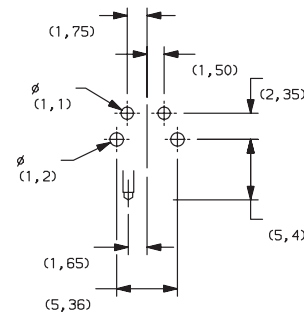


PART NUMBER	DESCRIPTION	SCHEMATIC
<b>DDS003</b>	Right angle, actuator left	
		SPST N.O.

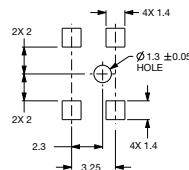


**KSD-DDS003  
SPST**

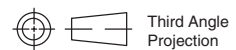
### PC MOUNTING



### PC MOUNTING



PART NUMBER	DESCRIPTION	SCHEMATIC
<b>DDS004</b>	Vertical actuator	
		SPST N.O.



Third Angle Projection

Dimensions are shown: mm  
Specifications and dimensions subject to change