

KSD-HDT Series Micro Mini Surface Mount Detect Switches



Features/Benefits

- Low profile package
- Design allows top or side actuation
- Low actuation force, 35 grams max.
- Pick and place compatible, available in tape & reel packaging
- RoHS compliant and compatible
- Halogen free

Typical Applications

- Consumer electronics
- Computers
- Medical devices
- ATCA and MicroTCA devices

Specifications

CONTACT RATING: 1 mA 5 VDC; 10 mA 5 VDC
 MECHANICAL AND ELECTRICAL LIFE: 100,000 cycles min.
 CONTACT RESISTANCE: 500 m Ω max. initial.
 INSULATION RESISTANCE: 100 M Ω min. between adjacent contacts.
 OPERATING TEMPERATURE: -40°C to + 85°C
 STORAGE TEMPERATURE: -40°C to + 85°C
 PACKAGING: Tape & reel

Materials

BASE: PA 46 (UL94V-0)
 COVER: PA 46 (UL94V-0)
 ACTUATOR: PA 46 (UL94V-0)
 MOVABLE BLADE: Stainless Steel, Ag over Ni plating.
 TERMINALS: Phosphor Bronze, Ag plating.
 SOLDERABILITY: Lead free compatible - No clean.

NOTE: Specifications and materials listed above are for switches with standard options. For information on specific and custom switches, consult Customer Service Center.

How To Order

Part number list is shown below. For individual part details, please refer to the following pages.

| Part Number (Part Description) | Product Details |
|-----------------------------------|--|
| HDT0001 | Micro mini surface mount detect switches normaly open with locating posts |
| HDT0001NP | Micro mini surface mount detect switches normaly open without locating posts |
| HDT0004 | Micro mini surface mount detect switches normaly open without locating posts |
| HDT0104 | Micro mini surface mount detect switches normaly open without locating posts |
| HDT0204 | Micro mini surface mount detect switches normaly open with locating posts |
| HDT0301 | Micro mini surface mount detect switches normaly open without locating posts |

KSD-HDT Series Micro Mini Surface Mount Detect Switches

Complete part numbers for HDT Series are shown below.

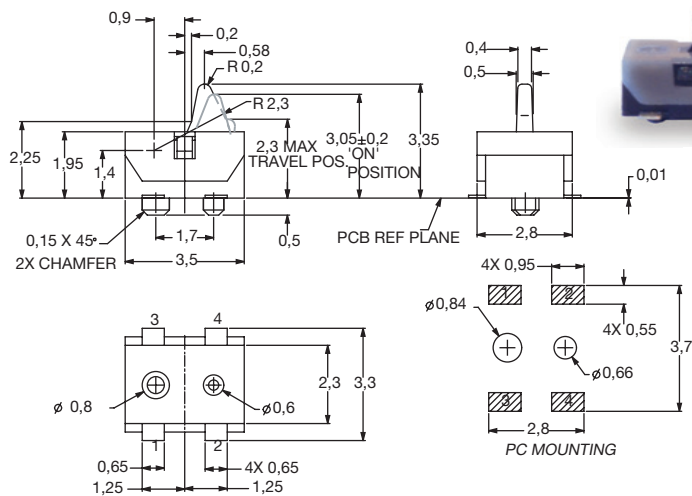
HDT0001

| PART NUMBER | PACKAGING | SCHEMATIC |
|----------------|-------------------------------|-----------|
| HDT0001 | TAPE & REEL 2,450 per reel | |

NOTE: Available with no locating posts by adding "NP" (HDT0001NP) to Part Number.

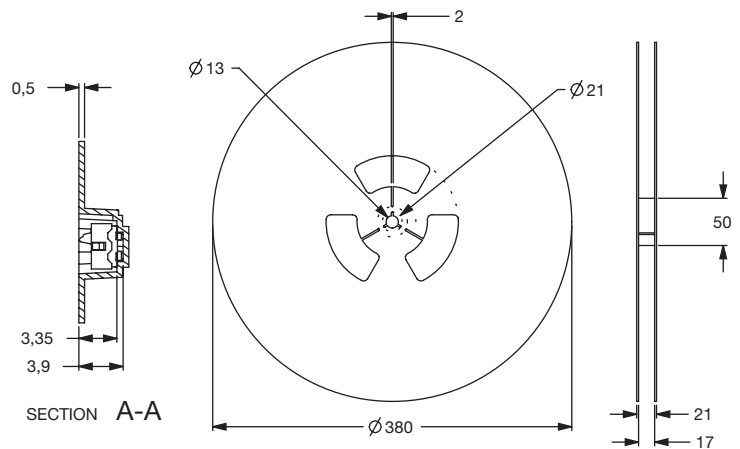
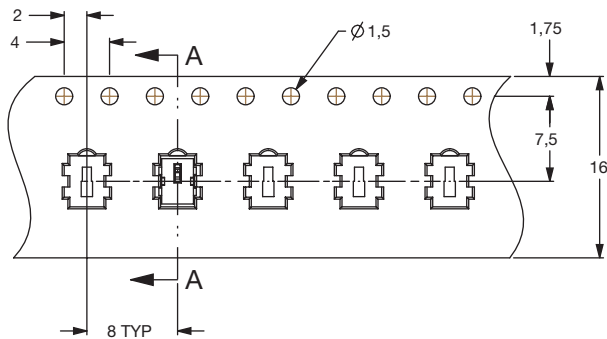
TRAVEL:

- Pre-travel: 0.3 mm
- Overtravel: 0.75 mm
- Total: 1.05 mm



TAPE & REEL

HDT0001



Detect



Third Angle Projection

Dimensions are shown: mm
Specifications and dimensions subject to change

HDT0004

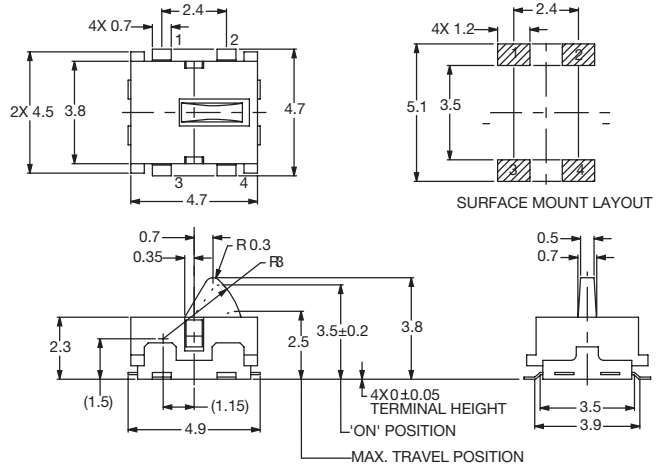


HDT0004

| PART NUMBER | PACKAGING | SCHEMATIC |
|----------------|-------------------------------|-----------|
| HDT0004 | TAPE & REEL 2,800 per reel | |

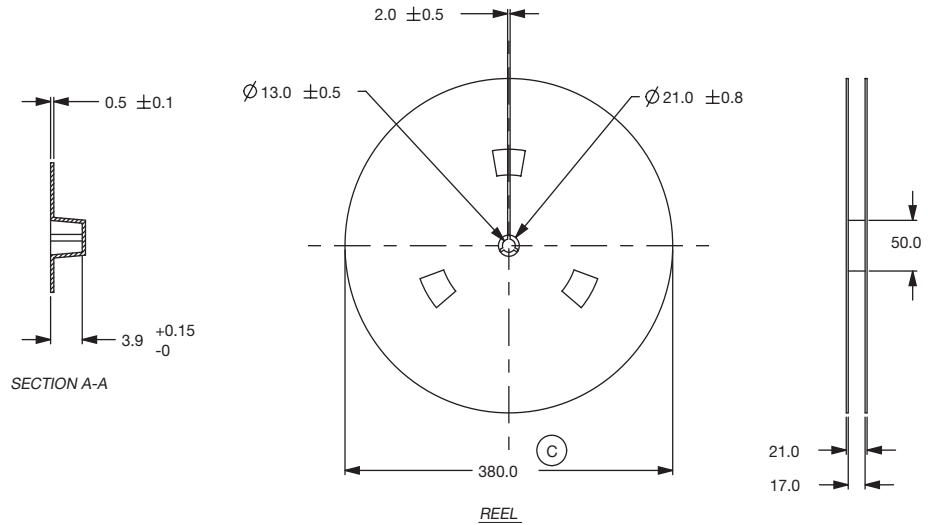
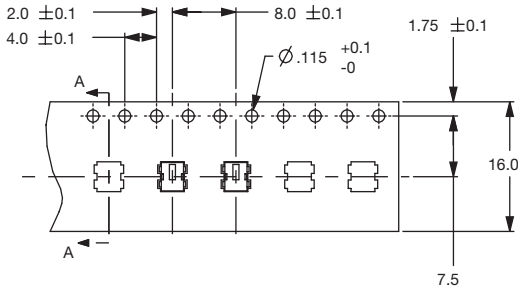
TRAVEL:

- Pre-travel: 0.3 mm
- Overtravel: 1.0 mm
- Total: 1.3 mm



TAPE & REEL

HDT0004



HDT0104



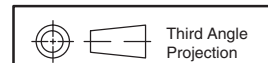
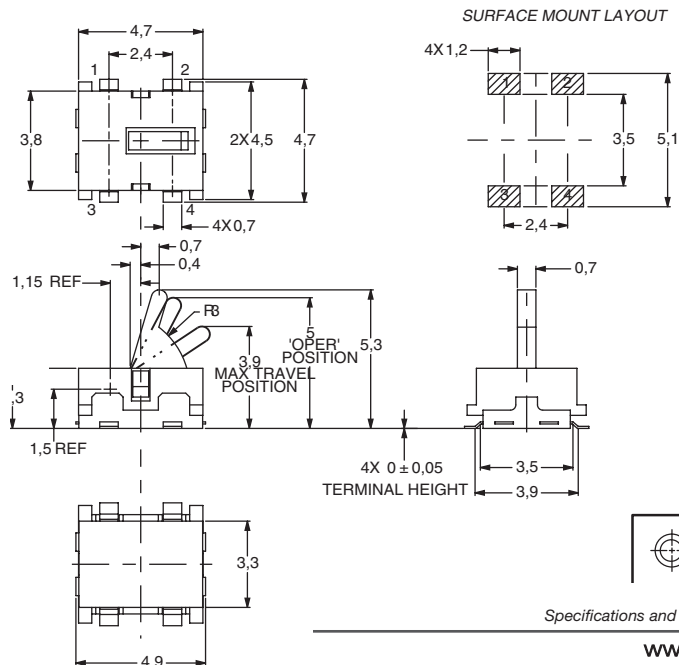
HDT0104

| PART NUMBER | PACKAGING | SCHEMATIC |
|----------------|-------------------------------|-----------|
| HDT0104 | TAPE & REEL 2,500 per reel | |

NOTE: This product comes without locating post

TRAVEL:

- Pre-travel: 0.3 mm
- Overtravel: 1.1 mm
- Total: 1.4 mm



Dimensions are shown: mm
Specifications and dimensions subject to change

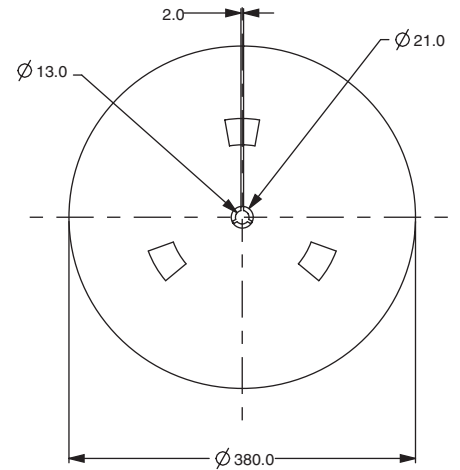
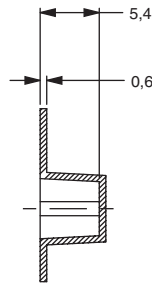
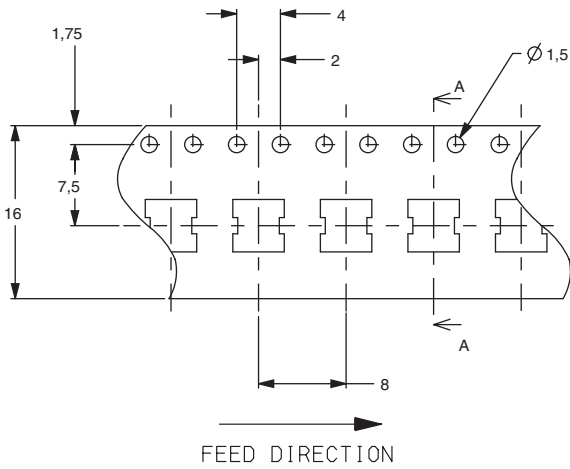


Detect

KSD-HDT Series Micro Mini Surface Mount Detect Switches

TAPE & REEL

HDT0104



HDT0204



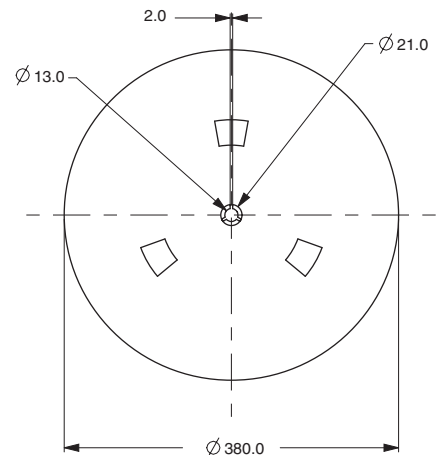
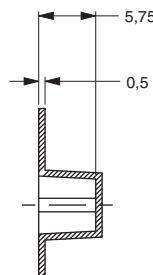
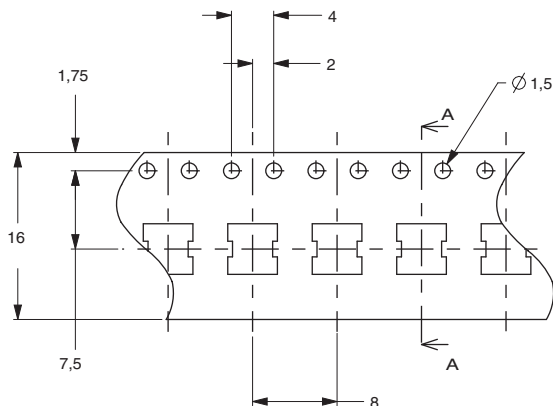
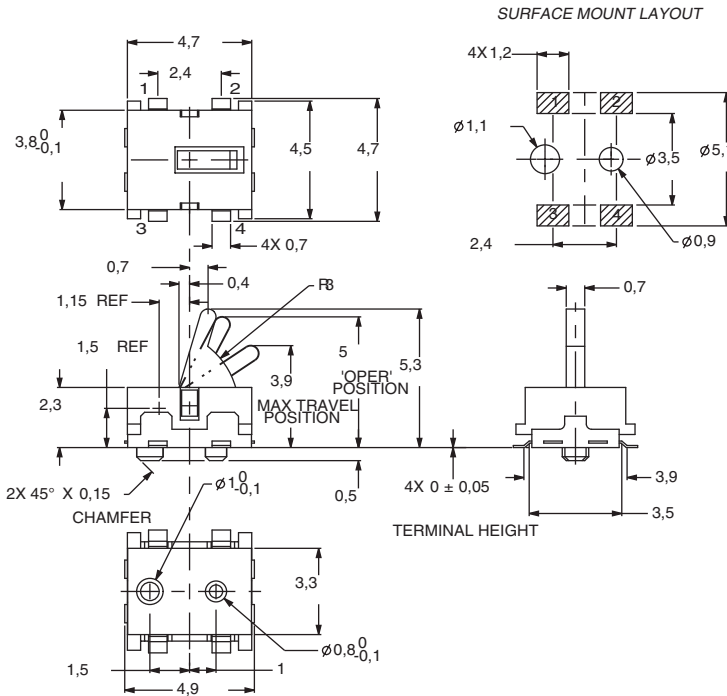
HDT0204

| PART NUMBER | PACKAGING | SCHEMATIC |
|----------------|-------------------------------|-----------|
| HDT0204 | TAPE & REEL 1,400 per reel | |

NOTE: This product comes with locating post

TRAVEL:

- Pre-travel: 0.3 mm
- Overtravel: 1.1 mm
- Total: 1.4 mm



Detect

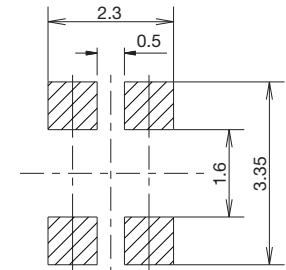
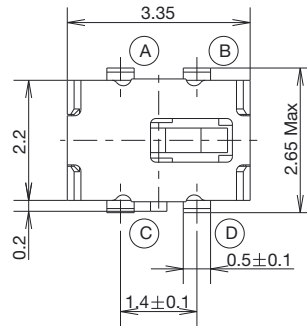
KSD-HDT Series Micro Mini Surface Mount Detect Switches

HDT0301



HDT0301

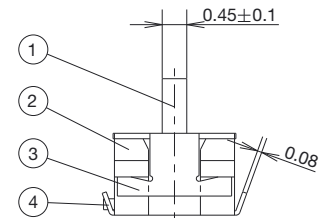
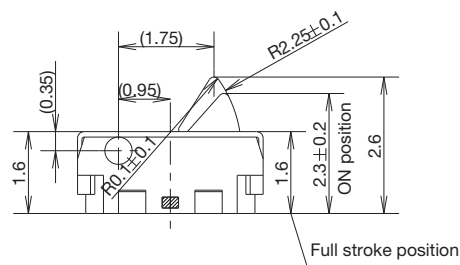
| PART NUMBER | PACKAGING | SCHEMATIC |
|----------------|-------------------------------|-----------|
| HDT0301 | TAPE & REEL 3,000 per reel | |



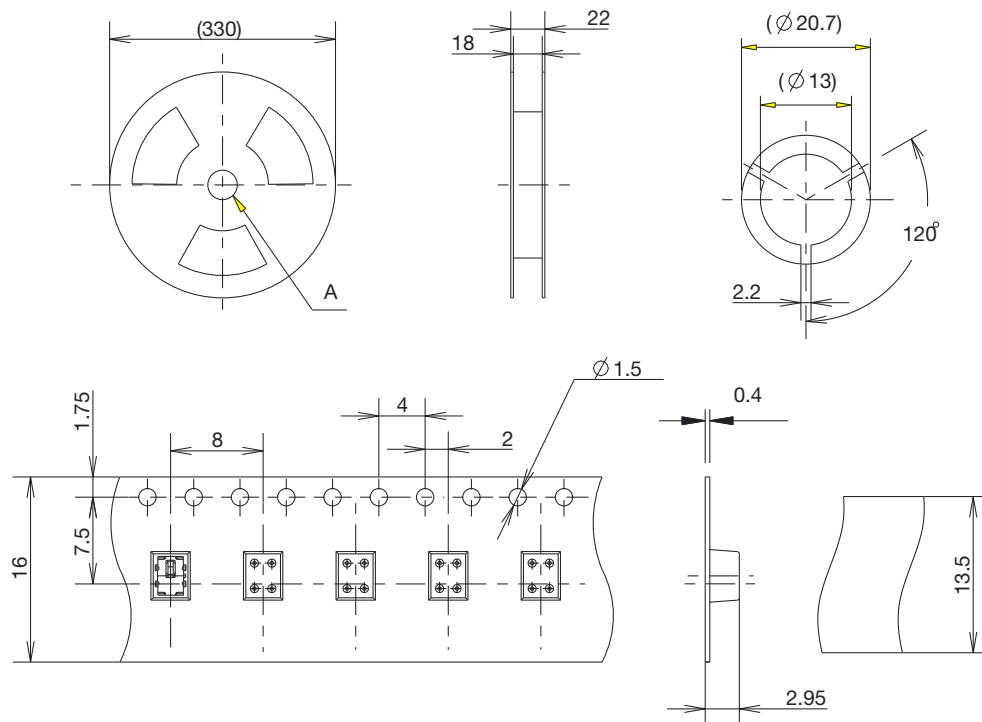
PCB LAND DIMENSION ± 0.05

TRAVEL:

- Pre-travel: 0.3 mm
- Overtravel: 0.7 mm
- Total: 1.0 mm



TAPE & REEL



→ Roll-direction

Dimensions are shown: mm
Specifications and dimensions subject to change



Detect