



SPECIFICATIONS

- RATING :** DC 15V 2A ; DC 16V 3A
- CONTACT RESISTANCE :** 30 mΩ MAX.
- INSULATION RESISTANCE :** 100 MΩ min./500V
- MECHANICAL LIFE :** 30,000 cycles.

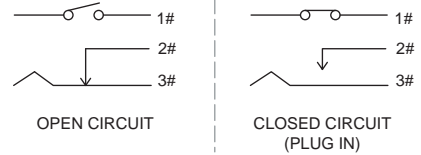
MATERIALS

- CASE&HOUSING:** Glass filled Nylon 6/6, black.
- ACTUATOR :** Glass filled Nylon 6/6, gray.
- CONTACT :** Copper alloy, silver plated.
- TERMINAL :** Copper alloy, silver plated.
- PIN :** Brass, nickel plated.

KSD

SWITCH CONNECTOR

SCHEMATIC

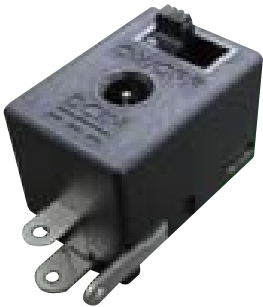
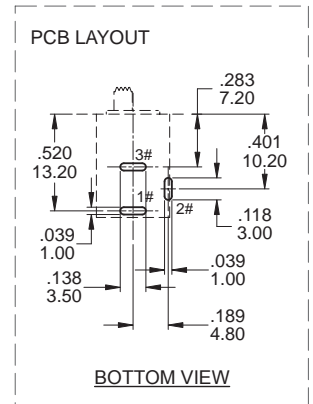
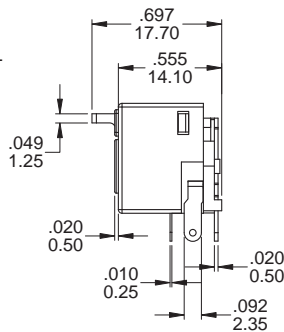
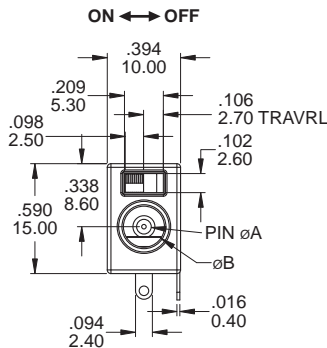


▼ DIMENSION

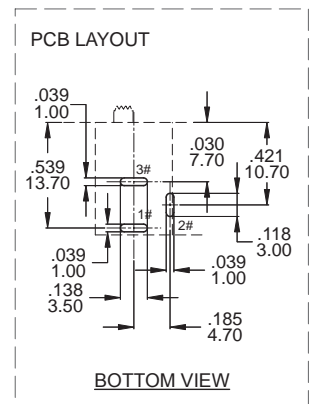
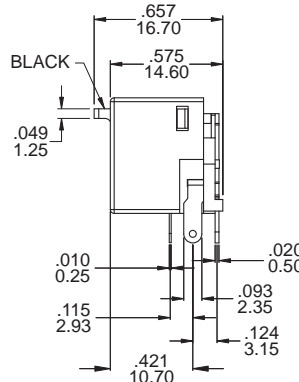
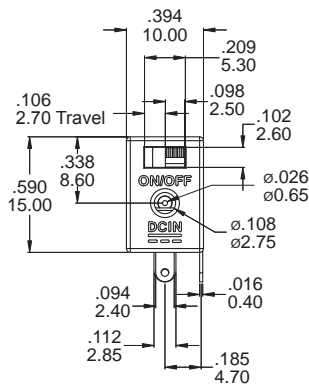


Units: mm

Dimensions	PIN Ø A	Ø B
MODEL		
KSD-SJ-003	Ø2.00	Ø5.60
KSD-SJ-006	Ø2.50	Ø5.60



Model name. SJ-007



Units: mm

Dimensions	PIN Ø A	Ø B
MODEL		
KSD-SJ-004	Ø2.00	Ø6.30
KSD-SJ-005	Ø2.50	Ø6.50

