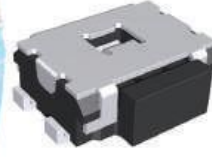




KSD-IT-1189 Series



FEATURES

Vertical & Horizontal pushing types
4.5×4.5×(H)mm with various Knob length

APPLICATIONS

All kinds of electronic equipments such as
car audio and home appliances
Digital Camera, Camcorders, Mobile Phones


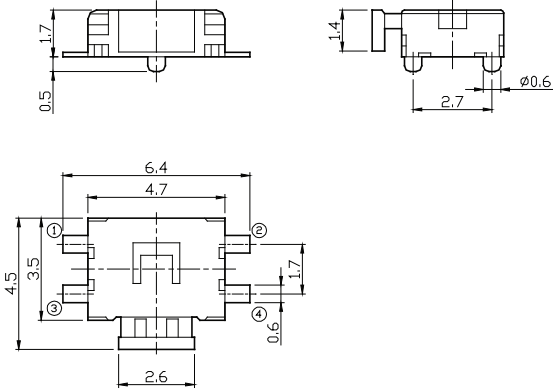
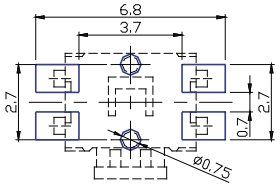
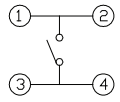

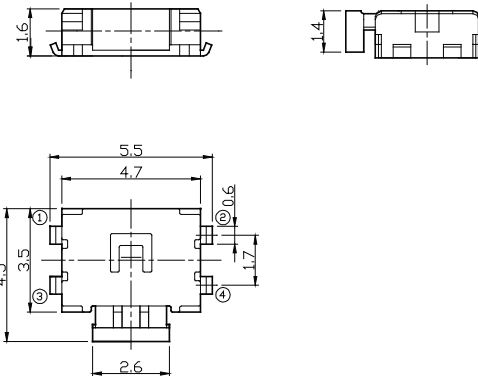
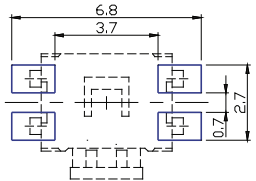
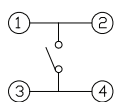

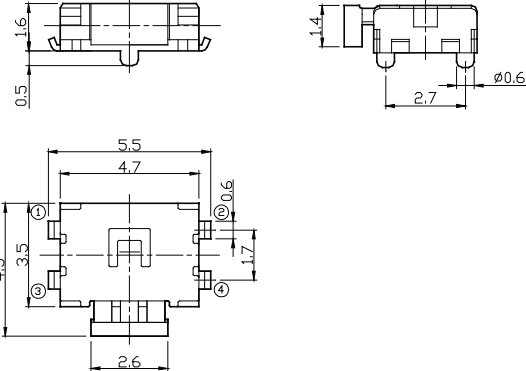
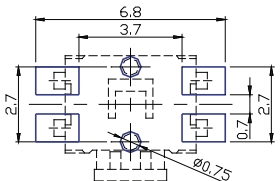
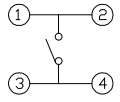
COMMON SPECIFICATIONS

Electrical	Rating	DC 12V 50mA
	Contact Resistance	100mΩ Max.
	Insulation Resistance	100MΩ (DC 500V / 1 min.) Min.
	Withstanding Voltage	250 VAC / min.
Mechanical	Operating force	160±50gf / 250±50gf
	Travel	0.25±0.1mm
Endurance	Operating Life(cycles)	100,000

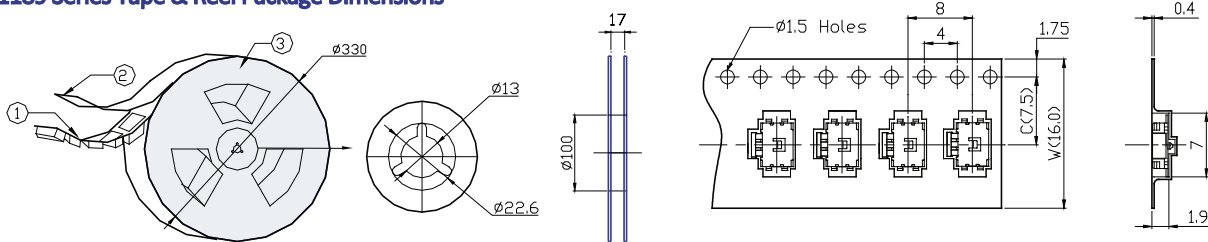
MODEL CODE NO.

Drawing No.	Code No.	Terminal Type	Body Boss
1	IT-1189BP1	4-Flat	Without
2	IT-1189BP2	4-Flat	With
3	IT-1189BU1	4-U Bent	Without
4	IT-1189BU2	4-U Bent	With

No.	Model No.	Dimension Type	PCB Land Dimension Circuit Diagram
1	IT-1189BP1		

No.	Model No.	Dimension Type	PCB Land Dimension Circuit Diagram
2	IT-1189BP2	 	 
3	IT-1189BU1	 	 
4	IT-1189BU2	 	 

IT-1189 Series Tape & Reel Package Dimensions



No.	Model No.	W	C	Pitch	Min. Package Qty / Reel	Qty / Out-carton
1	IT-1189BP1/BP2/BU1/BU2	16	7.5	8	3,000 pcs	60,000 pcs