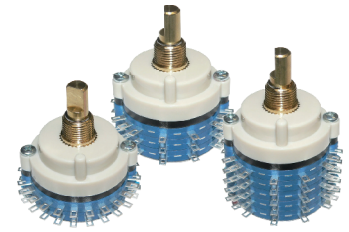




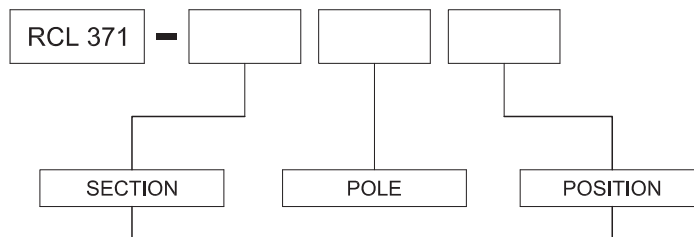
Feature :
Multi-sections and multi-poles

Application :
Equipments, broadcast system
Data switch, monitor switching



SWITCH SPECIFICATIONS	
POLE - POSITION	Multi - sections and multi - poles
CONTACT RATING	30 V DC , 500 mA
CONTACT RESISTANCE	25 mΩ MAX. 1 AC KHz±200Hz voltage / current less than 20Mv / 50mA or DC 5V 1A1.5 V DC ; 100 mA , by Method of Voltage DROP
INSULATION RESISTANCE	100 MΩ MIN. 500 V DC for 1 minute
DIELECTRIC STRENGTH	Breakdown is not Allowable ; 500 V AC for 1 Minute
OPERATING FORCE	1 TO 3 Section 2 ± 1 Kgf.cm ; Over 3 Section 3 ± 1.5 kgf.cm
OPERATING LIFE	10,000 cycles
OPERATING TEMPERATURE RANGE	-20°C ~ 70°C

► HOW TO ORDER



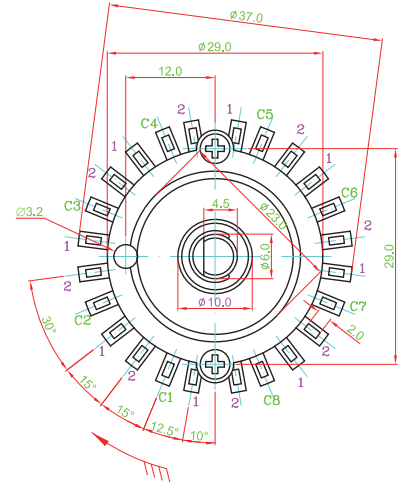
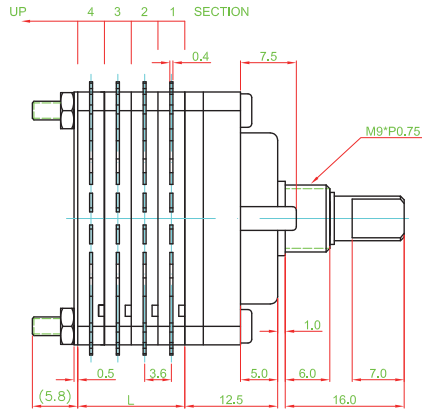
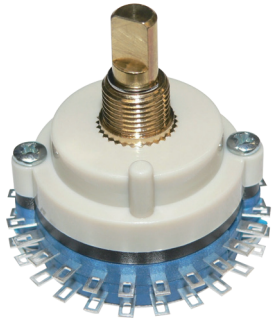
SECTION (1~12)	POLE	POSITION (2~12)	BODY LENGTH (L)	SECTION (1~12)	POLE	POSITION (2~12)	BODY LENGTH (L)
1	8	2	3.6mm	5	40	2	18mm
	4	3			20	3	
	3	4			15	4	
	2	5~6			10	5~6	
	1	7~12			5	7~12	
2	16	2	7.2mm	7	56	2	25.2mm
	8	3			28	3	
	6	4			21	4	
	4	5~6			14	5~6	
3	24	2	10.8mm	9	36	3	32.4mm
	12	3			27	4	
	9	4			18	5~6	
	6	5~6			9	7~12	
4	24or32	2	14.4mm	12	48	3	43.2mm
	16	3			36	4	
	12	4			24	5~6	
	8	5~6			12	7~12	
-	-	-	-	1-12 SECTIONS	-	-	SECTIONS x3.6mm

- TACT SWITCH
- PUSH BUTTON SWITCH
- LED TOUCH SENSOR SWITCH
- 5 DIRECTION NAVIGATION SWITCH WITH LED
- MEMBRANE SWITCH
- LED LIGHT BAR
- SLIDE SWITCH
- ROTARY SWITCH
- ROCKER SWITCH
- DETECT SWITCH
- ENCODER
- INTERRUPTER
- MINIATURE MICRO SWITCH
- TELEPHONE HOOK SWITCH
- DOOR SWITCH
- MINI SIZE SOCKET
- KNOB
- CAP SYMBOL

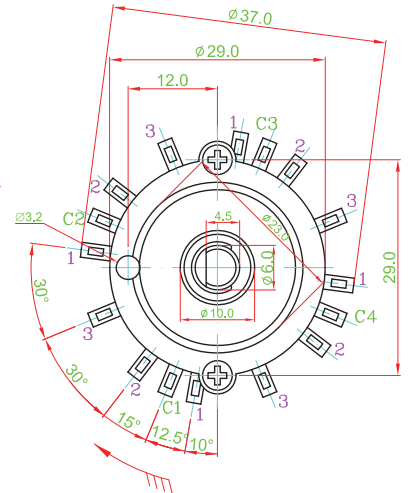
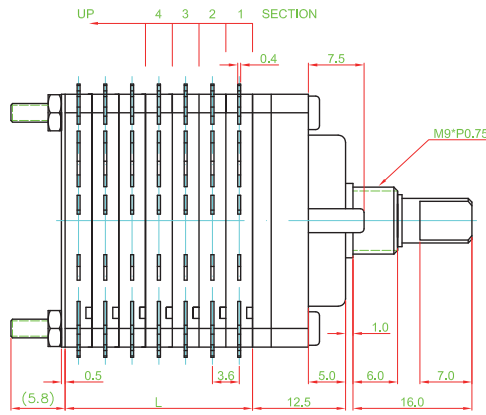
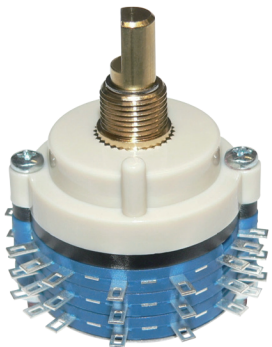


► DIMENSION

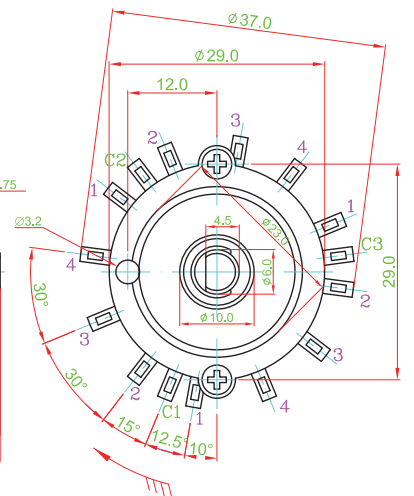
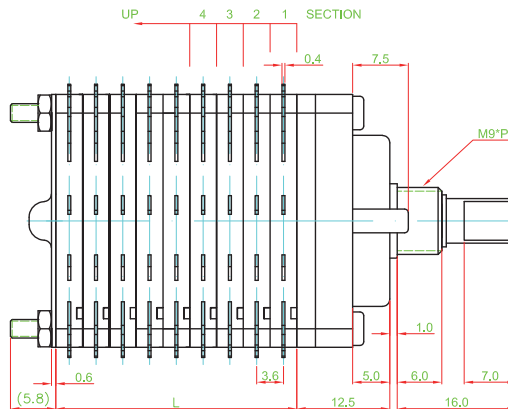
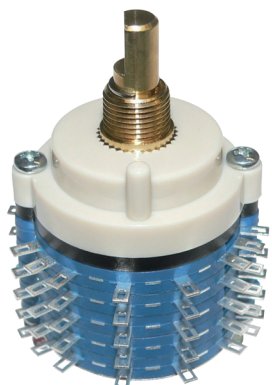
2 Position Series



3 Position Series



4 Position Series

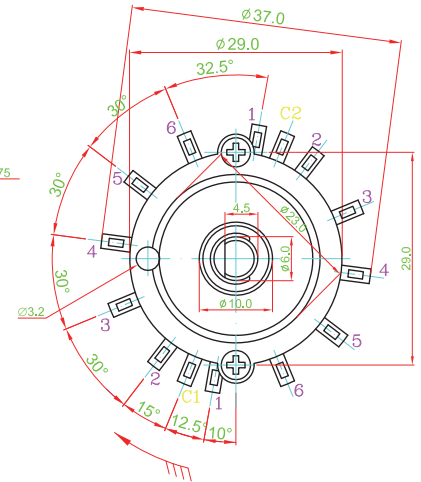
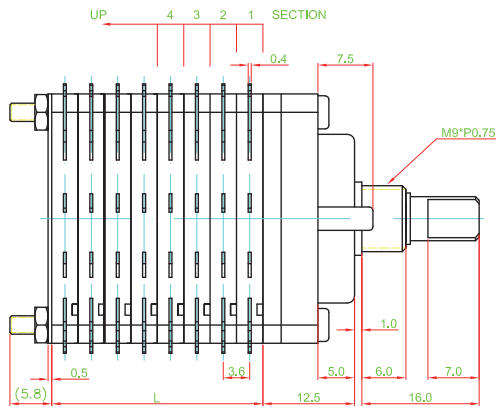


- TRACT SWITCH
- PUSH BUTTON SWITCH
- LED TOUCH SENSOR SWITCH
- 5 DIRECTION NAVIGATION SWITCH WITH LED
- MEMBRANE SWITCH
- LED LIGHT BAR
- SLIDE SWITCH
- ROTARY SWITCH
- ROCKER SWITCH
- DETECT SWITCH
- ENCODER
- INTERRUPTER
- MINIATURE MICRO SWITCH
- TELEPHONE HOOK SWITCH
- DOOR SWITCH
- MINI SIZE SOCKET
- KNOB
- CAP SYMBOL

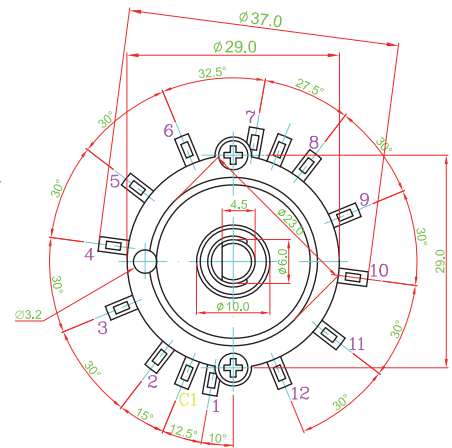
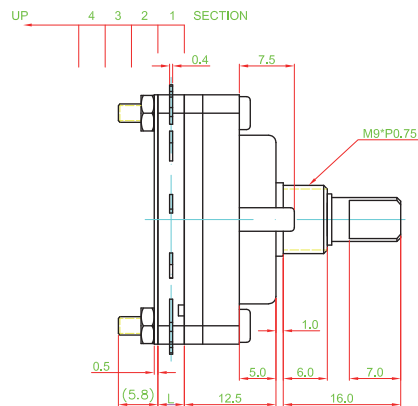
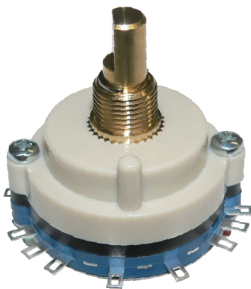


► DIMENSION

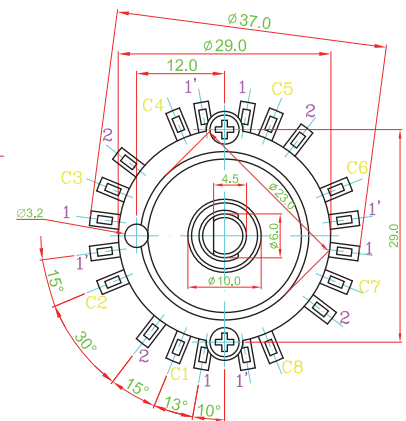
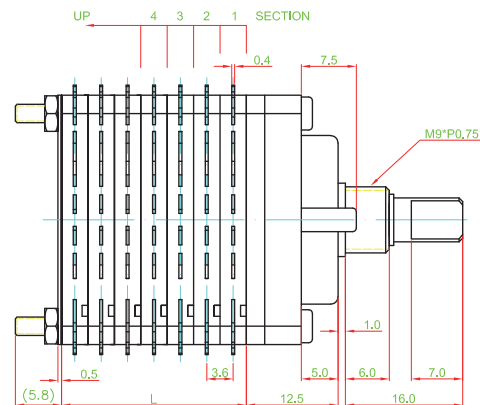
5~6 Position Series



7~12 Position Series



X Position Series



TACT SWITCH

PUSH BUTTON SWITCH

LED TOUCH SENSOR SWITCH

5 DIRECTION NAVIGATION SWITCH WITH LED

MEMBRANE SWITCH

LED LIGHT BAR

SLIDE SWITCH

ROTARY SWITCH

ROCKER SWITCH

DETECT SWITCH

ENCODER

INTERRUPTER

MINIATURE MICRO SWITCH

TELEPHONE HOOK SWITCH

DOOR SWITCH

MINI SIZE SOCKET

KNOB

CAP SYMBOL