



Feature :

- 5 direction navigation cap
- Panel mount and PCB module installation
- LED illumination

Application :

- Consumer products
- Computer products
- Instrumentation
- Communication equipments
- Home appliances

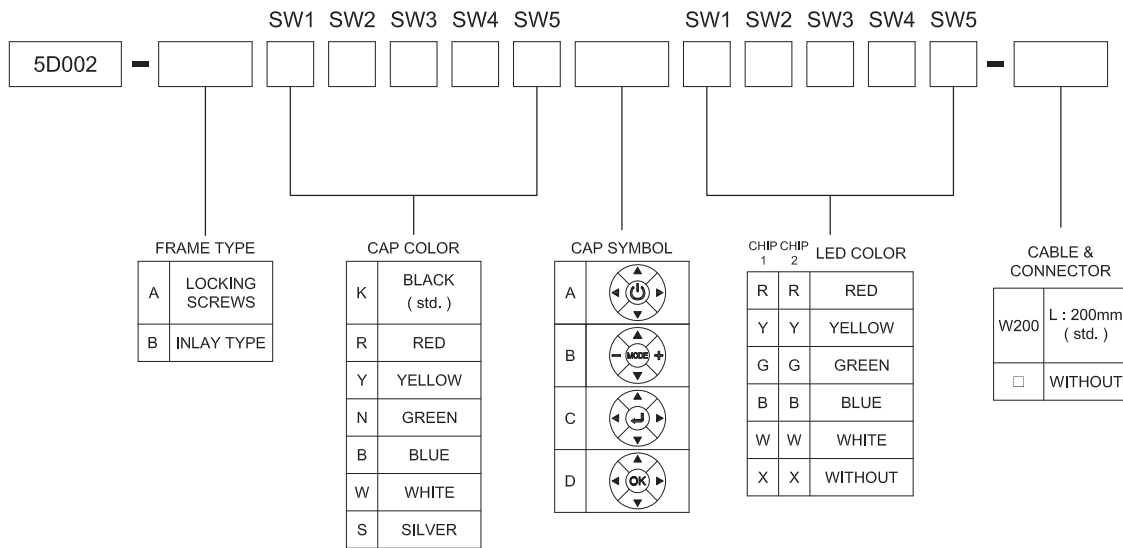


SWITCH SPECIFICATIONS	
POLE - POSITION	Momentary action , SPST
CONTACT RATING	24 V DC , 50 mA
CONTACT RESISTANCE	50 mΩ MAX. 1.5 V DC ; 100 mA , by Method of Voltage DROP
INSULATION RESISTANCE	100 MΩ MIN. 500 V DC
DIELECTRIC STRENGTH	Breakdown is not Allowable ; 500 V AC for 1 Minute
OPERATING FORCE	300 ± 100 gf
OPERATING LIFE	1,500,000 cycles
OPERATING TEMPERATURE RANGE	-40°C ~ 85°C
TOTAL TRAVEL	1.0 ± 0.3 mm

LED SPECIFICATIONS								
<p>ATTENTION LEDs are Electrostatic Sensitive devices</p>	Unit	Value / LED Color						
		Blue (5mA)	Pure Green	Red	Yellow	Orange	Green	White
LUMINOUS INTENSITY@20mA I _v	mcd	25	180	200	200	250	55	250
Dominant Wavelength λ _D	nm	470	525	630	590	601	567	/
FORWARD VOLTAGE@20mA V _f	V	2.8	3.2	1.95	2	2.1	2.1	4

■ A single bin cannot be ordered, please contact us in advance if you need a particular bin sorting before placing your order to clarify the lead time, MOQ and pricing

▶ HOW TO ORDER

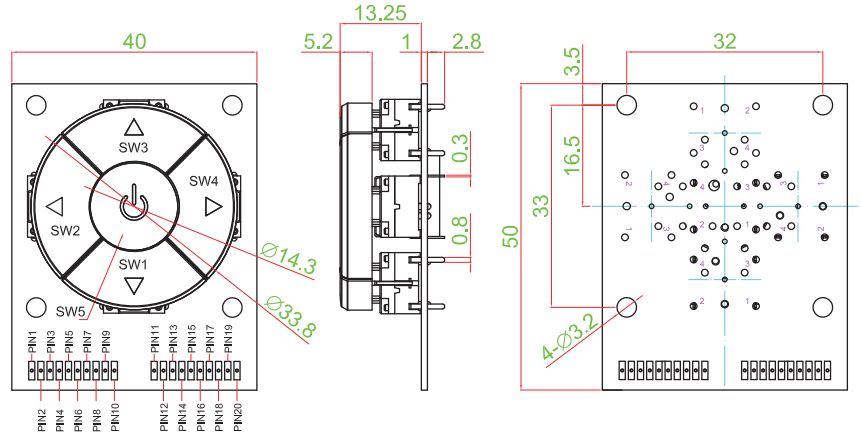
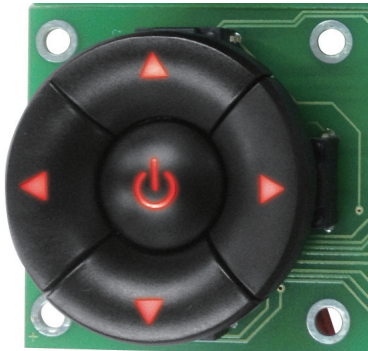


- TACT SWITCH
- PUSH BUTTON SWITCH
- LED TOUCH SENSOR SWITCH
- 5 DIRECTION NAVIGATION SWITCH WITH LED
- MEMBRANE SWITCH
- LED LIGHT BAR
- SLIDE SWITCH
- ROTARY SWITCH
- ROCKER SWITCH
- DETECT SWITCH
- ENCODER
- INTERRUPTER
- MINIATURE MICRO SWITCH
- TELEPHONE HOOK SWITCH
- DOOR SWITCH
- MINI SIZE SOCKET
- KNOB
- CAP SYMBOL

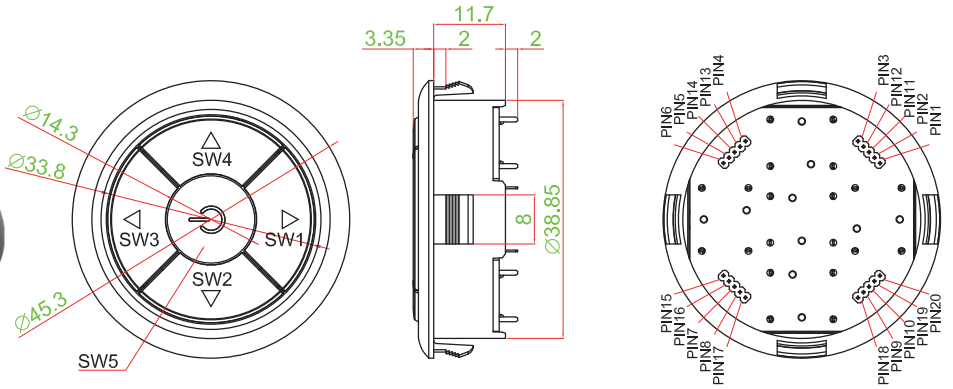


► FRAME TYPE

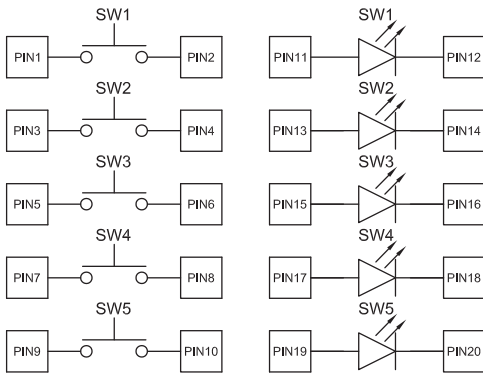
5D002-AK KKKKARXRXRXRXX



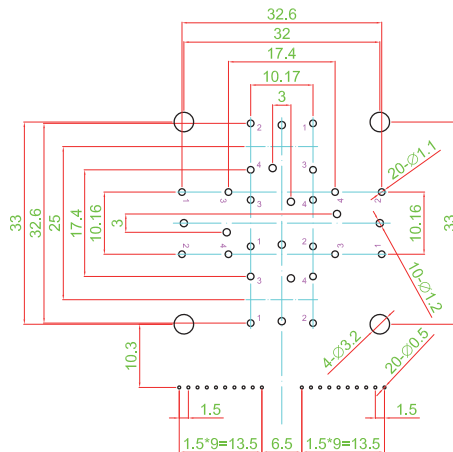
5D002-BK KKKKARXRXRXRXX



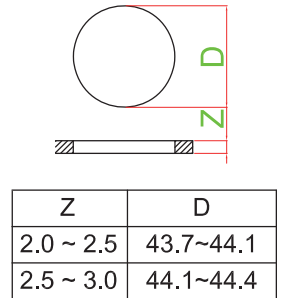
► CIRCUIT



► P.C.B LAYOUT



► PANEL CUT OUT



- TACT SWITCH
- PUSH BUTTON SWITCH
- LED TOUCH SENSOR SWITCH
- 5 DIRECTION NAVIGATION SWITCH WITH LED
- MEMBRANE SWITCH
- LED LIGHT BAR
- SLIDE SWITCH
- ROTARY SWITCH
- ROCKER SWITCH
- DETECT SWITCH
- ENCODER
- INTERUPTER
- MINIATURE MICRO SWITCH
- TELEPHONE HOOK SWITCH
- DOOR SWITCH
- MINI SIZE SOCKET
- KNOB
- CAP SYMBOL