

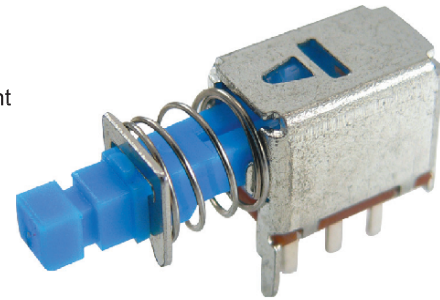


Feature :

1A, 30 V DC for Power
2 poles & 4 poles circuitry

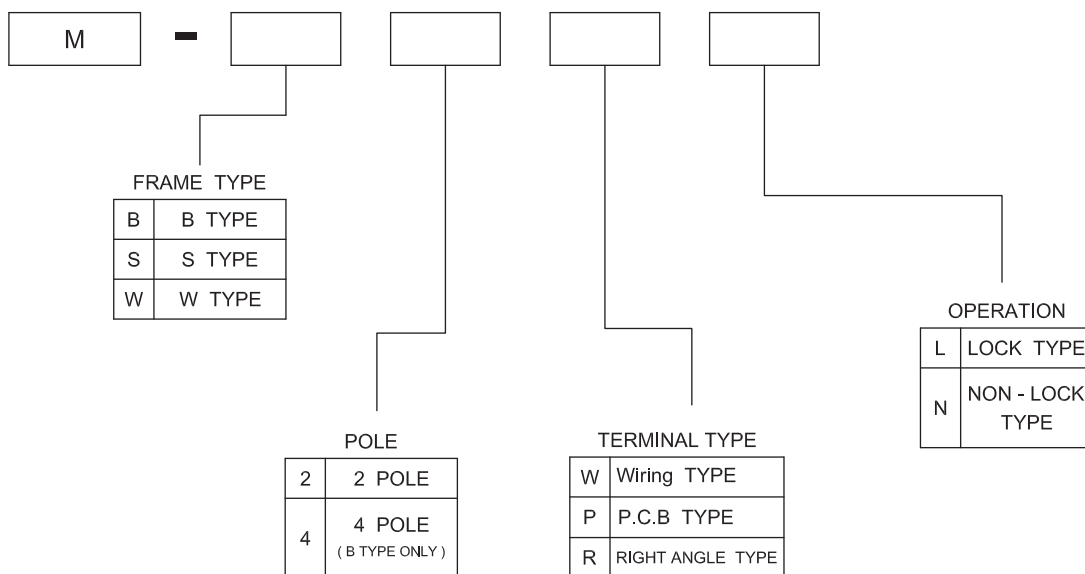
Application :

Home electronic equipment
Industrial equipments
Audio system
ADSL modem
Wireless AP



SWITCH SPECIFICATIONS	
POLE - POSITION	1P2T , 2P2T , 4P2T , Momentary and Lock Type are available
CONTACT RATING	30 V DC , 0.3 A ; 30 V DC , 1 A
CONTACT RESISTANCE	50 mΩ MAX. 1.5 V DC ; 100 mA , by Method of Voltage DROP
INSULATION RESISTANCE	100 MΩ MIN. 500 V DC
DIELECTRIC STRENGTH	Breakdown is not Allowable ; 500 V AC for 1 Minute
OPERATING FORCE	450 ± 150gf
OPERATING LIFE	10,000 cycles
OPERATING TEMPERATURE RANGE	-40°C ~ 85°C
TOTAL TRAVEL	3.5 ± 0.3 mm

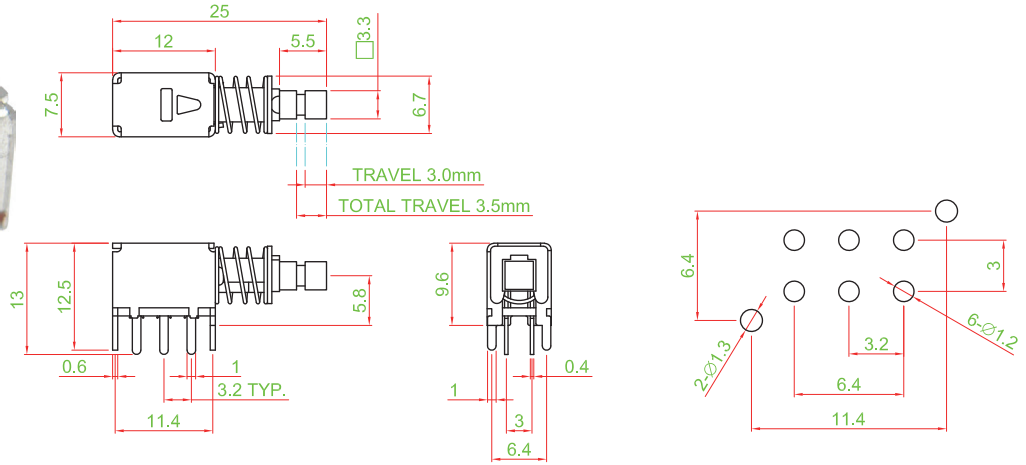
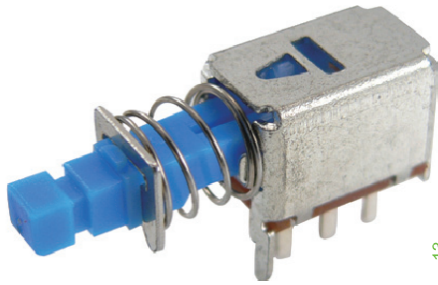
▶ HOW TO ORDER



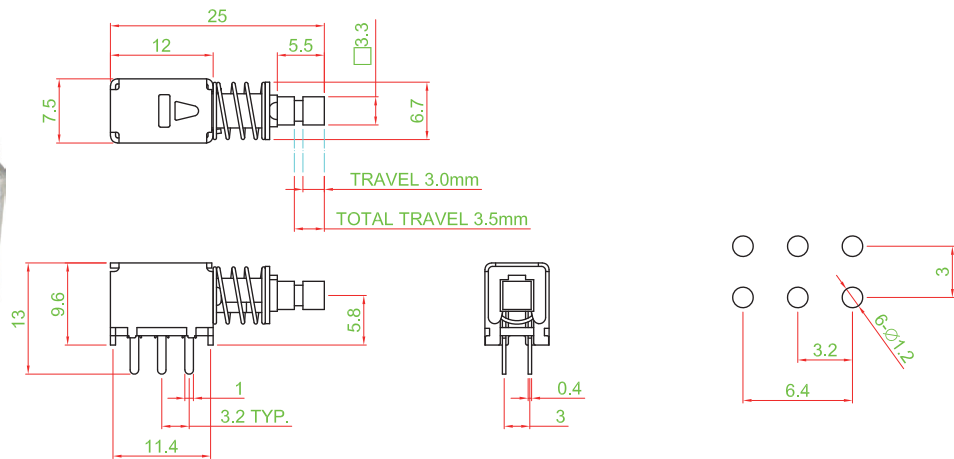
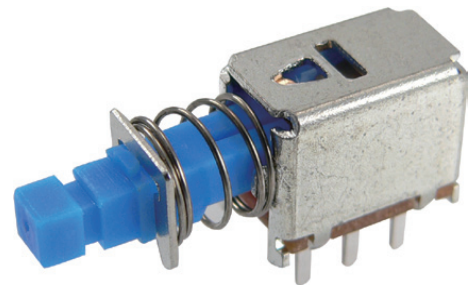


► FRAME TYPE & TERMINAL TYPE

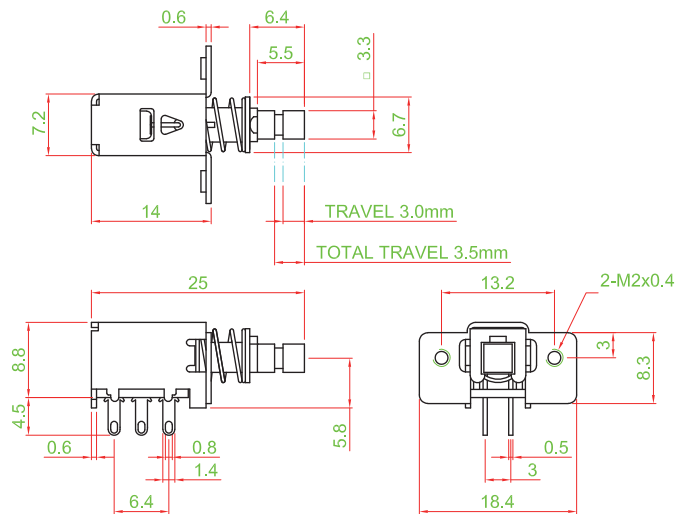
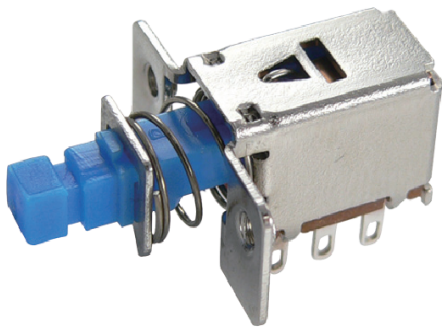
M - B2PN



M - S2PN



M - W2WL



TACT SWITCH

PUSH BUTTON SWITCH

LED TOUCH SENSOR SWITCH

5 DIRECTION NAVIGATION SWITCH WITH LED

MEMBRANE SWITCH

LED LIGHT BAR

SLIDE SWITCH

ROTARY SWITCH

ROCKER SWITCH

DETECT SWITCH

ENCODER

INTERRUPTER

MINIATURE MICRO SWITCH

TELEPHONE HOOK SWITCH

DOOR SWITCH

MINI SIZE SOCKET

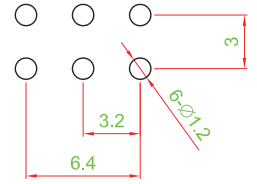
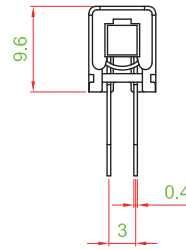
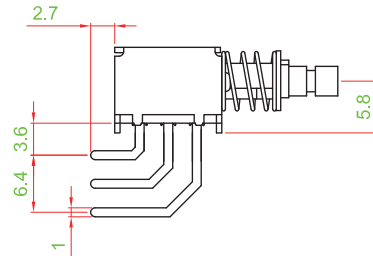
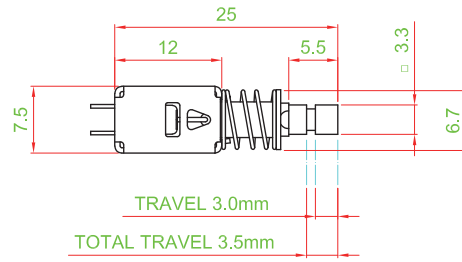
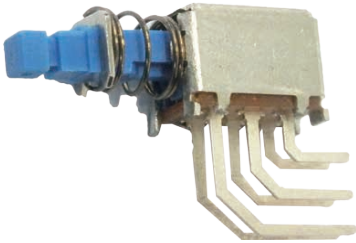
KNOB

CAP SYMBOL

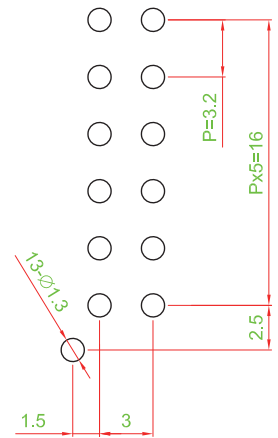
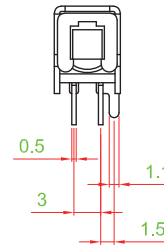
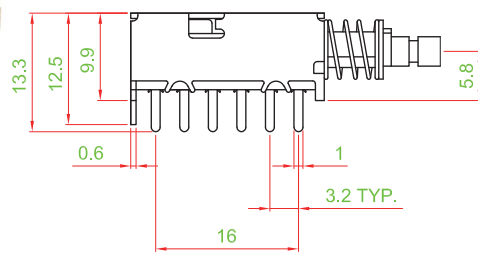
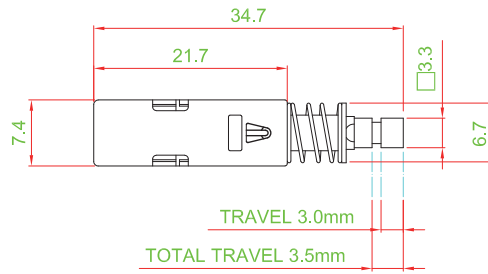
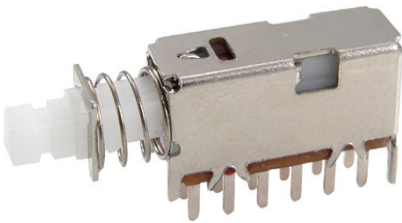


► FRAME TYPE & TERMINAL TYPE

M - S2RL

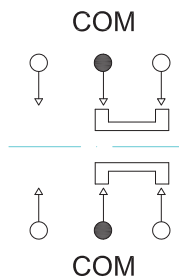


M - B4PL

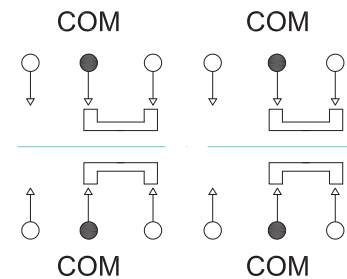


► CIRCUIT

2 POLE



4 POLE



- TRACT SWITCH
- PUSH BUTTON SWITCH
- LED TOUCH SENSOR SWITCH
- 5 DIRECTION NAVIGATION SWITCH WITH LED
- MEMBRANE SWITCH
- LED LIGHT BAR
- SLIDE SWITCH
- ROTARY SWITCH
- ROCKER SWITCH
- DETECT SWITCH
- ENCODER
- INTERRUPTER
- MINIATURE MICRO SWITCH
- TELEPHONE HOOK SWITCH
- DOOR SWITCH
- MINI SIZE SOCKET
- KNOB
- CAP SYMBOL