



Feature :

Small dimension
Max. 8 positions

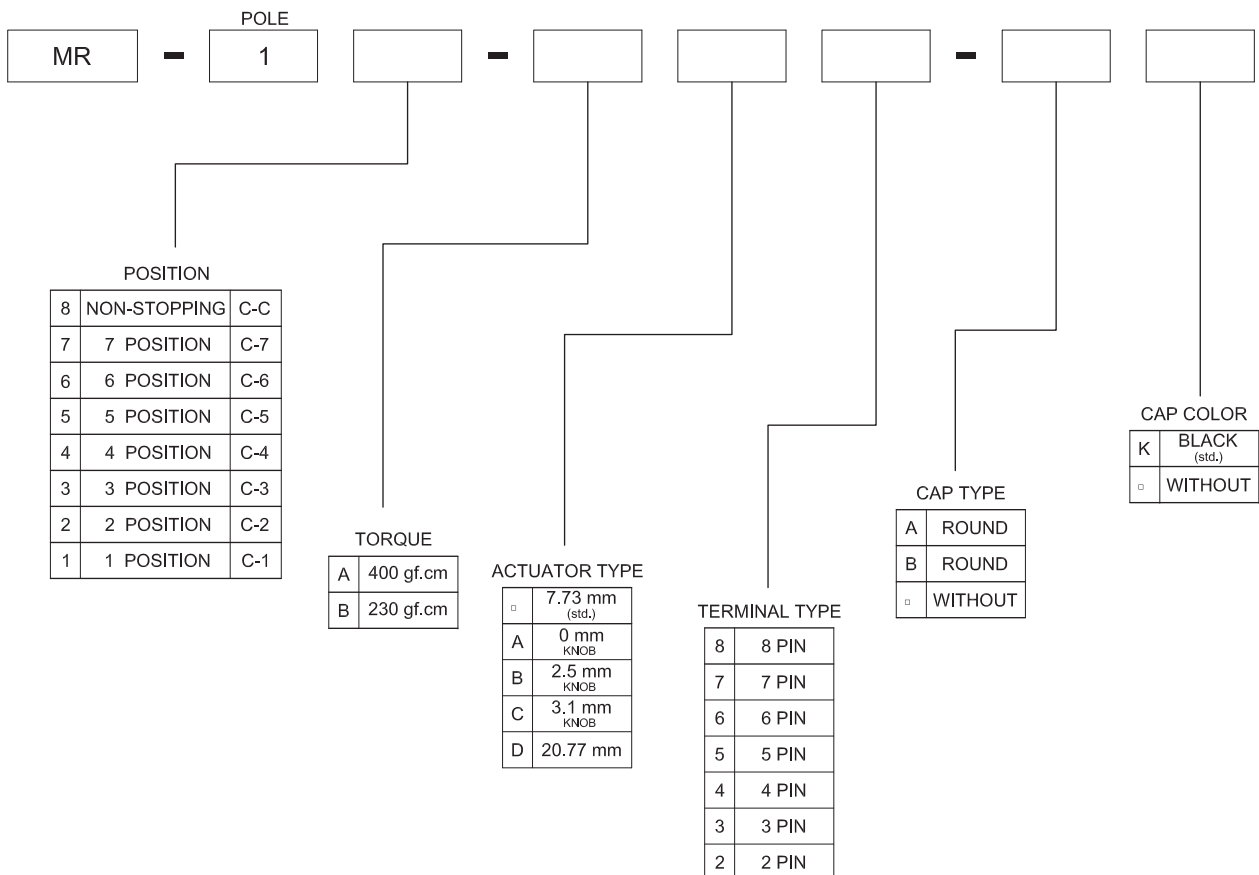
Application :

Power strip voltage selector
Selection key on the application
AV machine, video recorder
Air cleaner

SWITCH SPECIFICATIONS

POLE - POSITION	1POLE , 2 POSITION~8 POSITION (STOP LESS) are Available
CONTACT RATING	0.5A 24V DC ; 0.2A 48V DC
CONTACT RESISTANCE	2 Ω MAX. 1.5 V DC ; 100 mA , by Method of Voltage DROP
INSULATION RESISTANCE	100 MΩ MIN. 500 V DC
DIELECTRIC STRENGTH	Breakdown is not Allowable ; 500 V AC for 1 Minute
OPERATING FORCE	400 ± 250 gf.cm or 230 ± 100 gf.cm
OPERATING LIFE	2,000 cycles
OPERATING TEMPERATURE RANGE	-40°C ~ 85°C

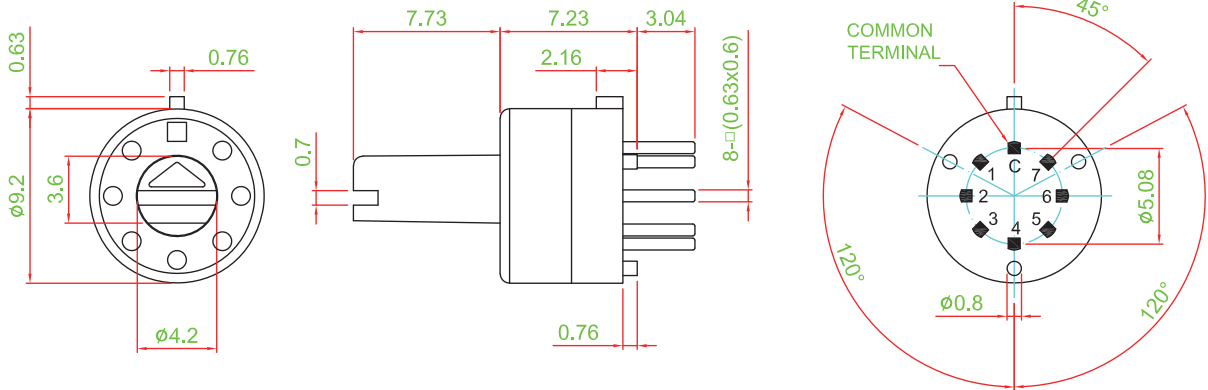
▶ HOW TO ORDER





► DIMENSION

MR - 18 - A8



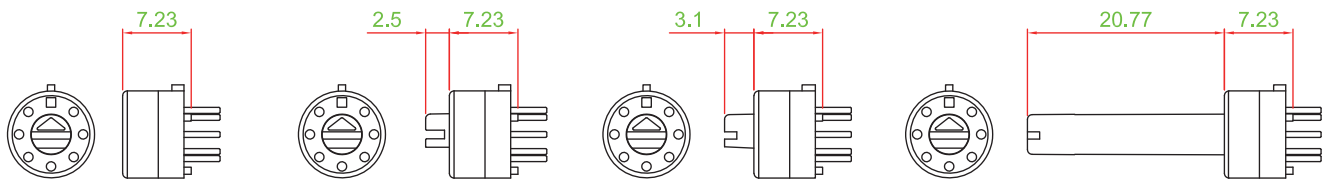
► ACTUATOR TYPE

A TYPE

B TYPE

C TYPE

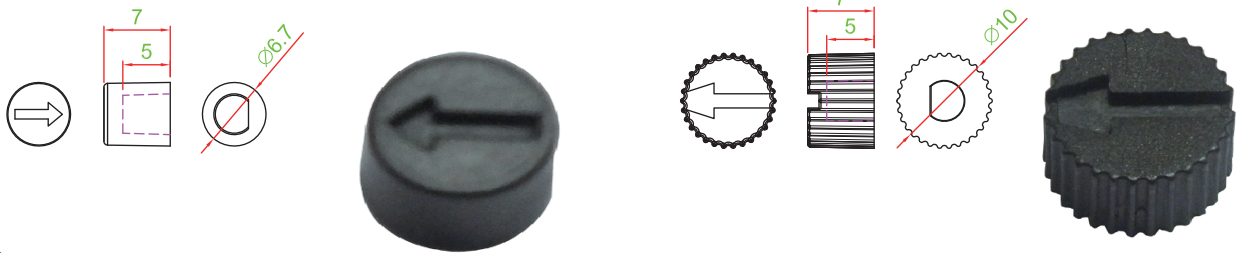
D TYPE



► CAP TYPE

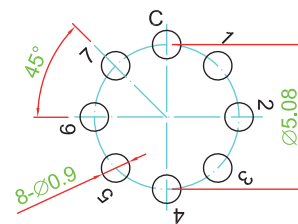
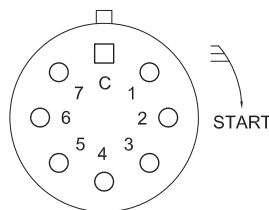
A TYPE

B TYPE



► CIRCUIT

TRAVEL	SWITCHING POSITION
0°	C - C (OFF)
45°	C - 1
90°	C - 2
135°	C - 3
180°	C - 4
225°	C - 5
270°	C - 6
315°	C - 7



TACT SWITCH

PUSH BUTTON SWITCH

LED TOUCH SENSOR SWITCH

5 DIRECTION NAVIGATION SWITCH WITH LED

MEMBRANE SWITCH

LED LIGHT BAR

SLIDE SWITCH

ROTARY SWITCH

ROCKER SWITCH

DETECT SWITCH

ENCODER

INTERRUPTER

MINIATURE MICRO SWITCH

TELEPHONE HOOK SWITCH

DOOR SWITCH

MINI SIZE SOCKET

KNOB

CAP SYMBOL