



Feature :

- Water proof IP67 sealed
- Medium size,
- Long electrical life cycles
- SMD and vertical PCB terminal

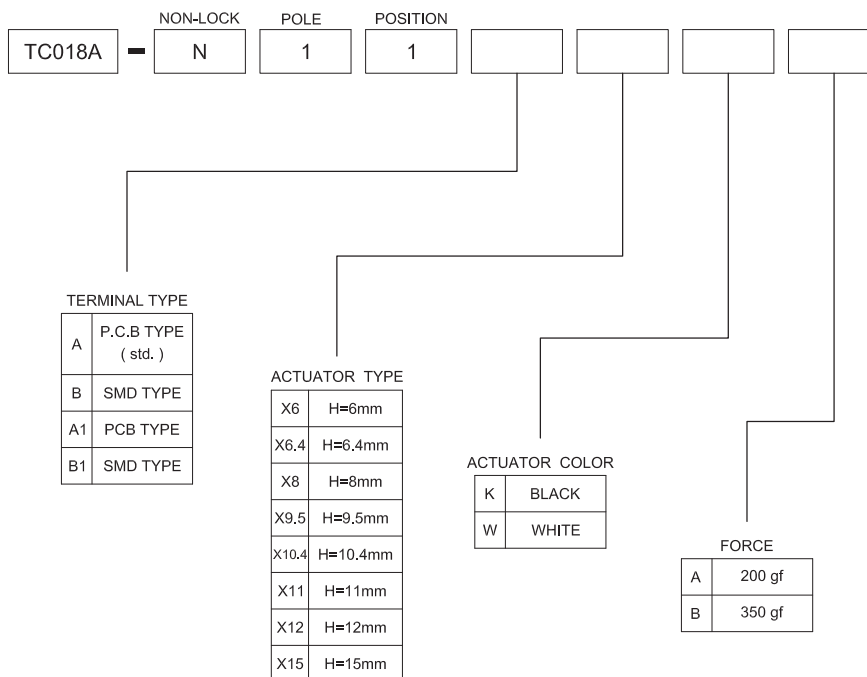
Application :

- Consumer products
- Computer products
- Instrumentation
- Communication equipments

- TACT SWITCH
- PUSH BUTTON SWITCH
- LED TOUCH SENSOR SWITCH
- 5 DIRECTION NAVIGATION SWITCH WITH LED
- MEMBRANE SWITCH
- LED LIGHT BAR
- SLIDE SWITCH
- ROTARY SWITCH
- ROCKER SWITCH
- DETECT SWITCH
- ENCODER
- INTERRUPTER
- MINIATURE MICRO SWITCH
- TELEPHONE HOOK SWITCH
- DOOR SWITCH
- MINI SIZE SOCKET
- KNOB
- CAP SYMBOL

SWITCH SPECIFICATIONS	
POLE - POSITION	1P1T
CONTACT RATING	24 V DC , 50 mA
CONTACT RESISTANCE	50 mΩ MAX. 1.5 V DC ; 100 mA , by Method of Voltage DROP
INSULATION RESISTANCE	100 MΩ MIN. 500 V DC
DIELECTRIC STRENGTH	Breakdown is not Allowable ; 500 V AC for 1 Minute
OPERATING FORCE	200 ± 80 gf ; 350 ± 100 gf
OPERATING LIFE	1,500,000 cycles
OPERATING TEMPERATURE RANGE	-40°C ~ 85°C
TOTAL TRAVEL	1.0 ± 0.3 mm
SEALING	IP67

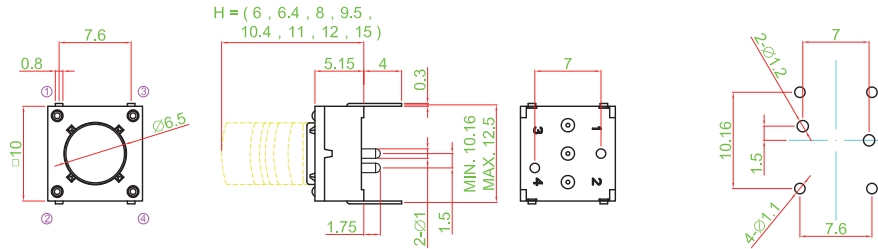
▶ HOW TO ORDER



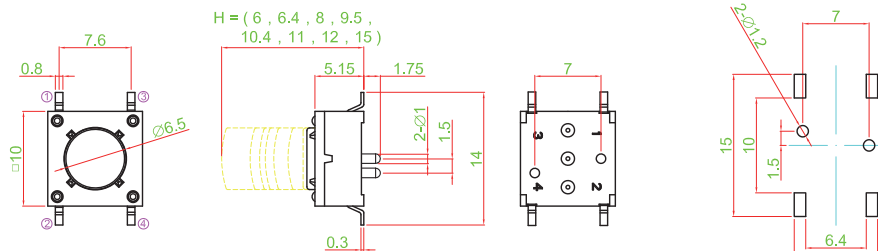


► **TERMINAL TYPE**

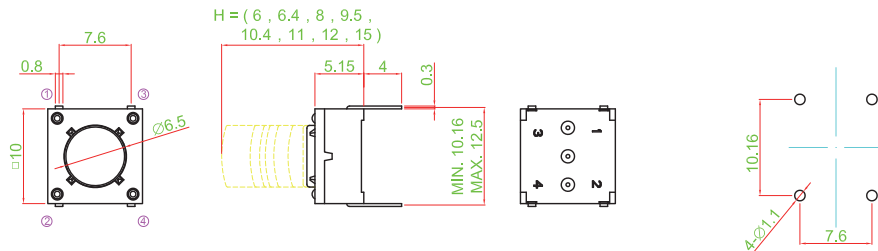
TC018A-N11A □ □ □



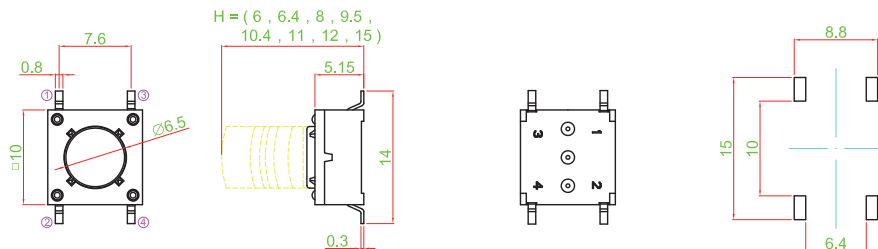
TC018A-N11B □ □ □



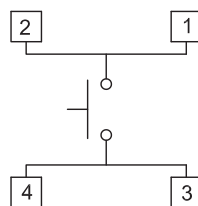
TC018A-N11A1 □ □ □



TC018A-N11B1 □ □ □



► **CIRCUIT**



TACT SWITCH

PUSH BUTTON SWITCH

LED TOUCH SENSOR SWITCH

5 DIRECTION NAVIGATION SWITCH WITH LED

MEMBRANE SWITCH

LED LIGHT BAR

SLIDE SWITCH

ROTARY SWITCH

ROCKER SWITCH

DETECT SWITCH

ENCODER

INTERRUPTER

MINIATURE MICRO SWITCH

TELEPHONE HOOK SWITCH

DOOR SWITCH

MINI SIZE SOCKET

KNOB

CAP SYMBOL