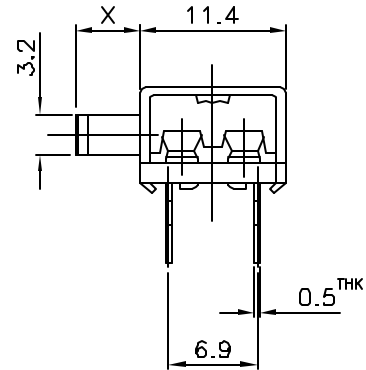
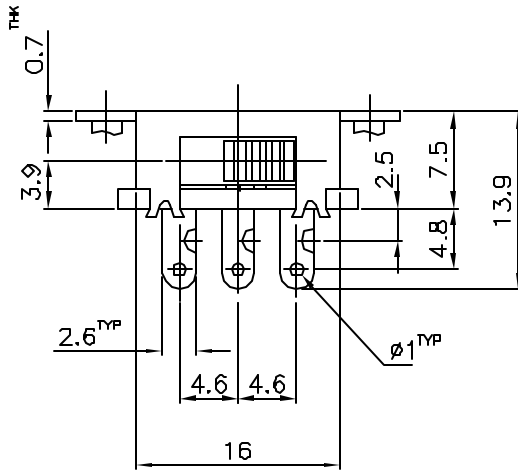



NON-SHORTING
SCHEMATIC



X=

ISSUED	SPECIFICATION (INITIAL)	TITLE: SLIDE SWITCH 2P2T			
	RATING: AC 125V 3A	MODEL NO: WK-22F18-G			
	CONTACT RESISTANCE: Not more than 30mΩ	UNIT: m m	DWN	B F Z	06.08.04
	INSULATION RESISTANCE: 500MΩ at 500V DC	SCALE: 2 : 1			
	WITHSTAND VOLTAGE: AC 1000V FOR 1 MIN	TOLERANCE: APPD.			
	OPERATION FORCE: 300± 200g				
	SWITCHING LIFE: 10000 Cycles(6-10c/m loading)				
BY:	 广东科斯达电子科技有限公司 GUANG DONG KE SI DA ELECTRONIC TECHNOLOGY CO., LTD.	DRWG NO:			
DATE:		910151-02			