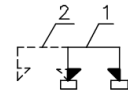
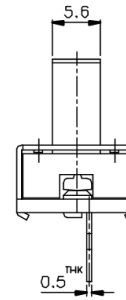
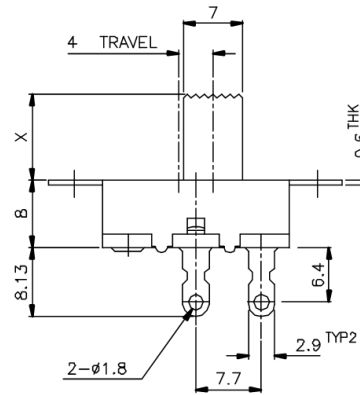
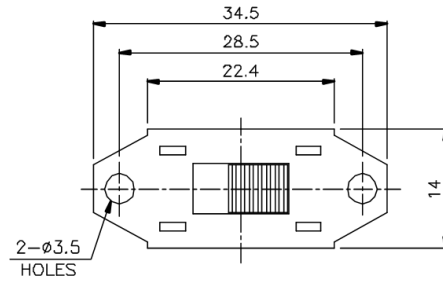


KSD




NON-SHORTING
SCHEMATIC



MARKING: SIDE A: **KSD** 科斯达

SIDE B: U11 AC 125V 11A
AC 250V 5.5A

X=

ISSUED	SPECIFICATION (INITIAL)	TITLE: SLIDE SWITCH 1P1T	
	RATING: AC 125V 11A AC 250V 5.5A	MODEL NO: U11SS-11P02-G(A)	
	CONTACT RESISTANCE: MAX. 30mΩ	UNIT: m	m DWN
	INSULATION RESISTANCE: 500MΩ AT 500V DC	SCALE: 2 : 1	CHK'D
	WITHSTAND VOLTAGE: AC 1000V FOR 1 MIN	TOLERANCE: ±0.20	APPD.
	OPERATION FORCE: 400 ± 200g		
	SWITCHING LIFE: 10,000 Cycles(6-10c/m loading)		
BY:	 广东科斯达电子科技有限公司 GUANG DONG KE SI DA ELECTRONIC TECHNOLOGY CO., LTD.	DRWG NO:	
DATE:		930171-05	