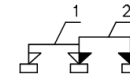
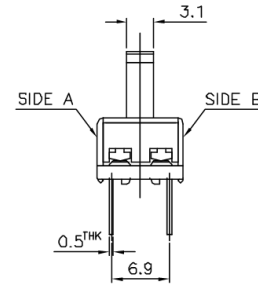
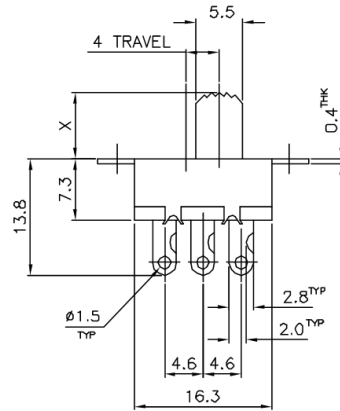
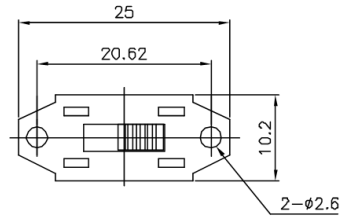


# KSD



NON-SHORTING  
SCHEMATIC



Marking:

SIDE A: **KSD**  
SIDE B: U4 AC 125V 4A  
AC 250V 2A

X=

ISSUED	SPECIFICATION (INITIAL)	TITLE: SLIDE SWITCH 1P2T
	RATING: AC 125V 4A AC 250V 2A	MODEL NO: U4SS-22H14-G
	CONTACT RESISTANCE: Max. 30m Ω	UNIT: m m DWN Q F L 22.04.06
	INSULATION RESISTANCE: 500MΩ at 500V DC	SCALE: 2 : 1 CHK'D
	WITHSTAND VOLTAGE: AC 1000V for 1 min	TOLERANCE: ±0.20 APPD.
	OPERATION FORCE: 400±200g	
	SWITCHING LIFE: 10000 Cycles(6-10c/m loading)	
BY:	<b>广东科斯达电子科技有限公司</b> GUANG DONG KE SI DA ELECTRONIC TECHNOLOGY CO., LTD.	DRWG NO:
DATE:		A60224-00