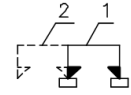
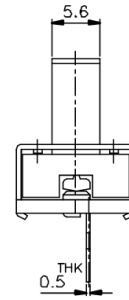
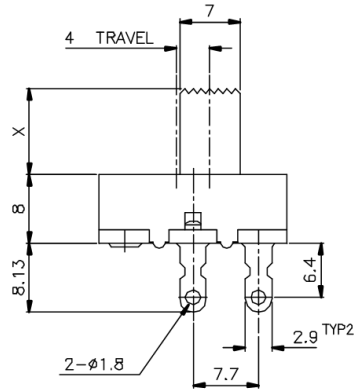
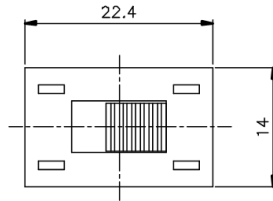


KSD




NON-SHORTING
SCHEMATIC



MARKING: SIDE A: **KSD** 公司

SIDE B: U11 AC 125V 11A
AC 250V 5.5A

X =

ISSUED	SPECIFICATION (INITIAL)	TITLE: SLIDE SWITCH 1P1T
	RATING: AC 125V 11A AC 250V 5.5A	MODEL NO: U11SS-11P04-G(A)
	CONTACT RESISTANCE: MAX. 30mΩ	UNIT: m m DWN
	INSULATION RESISTANCE: 500MΩ AT 500V DC	SCALE: 2 : 1 CHK'D
	WITHSTAND VOLTAGE: AC 1000V FOR 1 MIN	TOLERANCE: ±0.20 APPD.
	OPERATION FORCE: 400 ± 200g	
	SWITCHING LIFE: 10,000 Cycles(6-10c/m loading)	
BY:	 广东科斯达电子科技有限公司 GUANG DONG KE SI DA ELECTRONIC TECHNOLOGY CO., LTD.	DRWG NO:
DATE:		990090-01