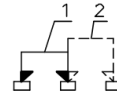
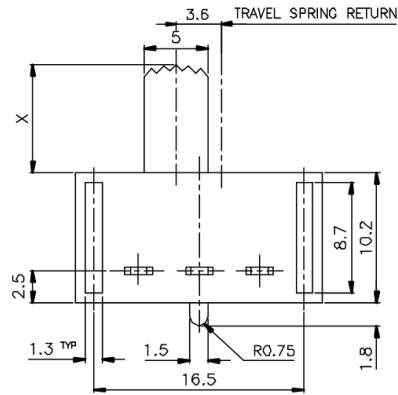
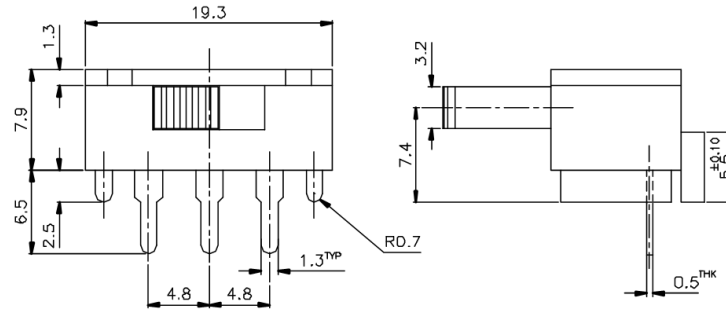


KSD



NON-SHORTING
SPRING RETURN
SCHEMATIC



WITH U4, UL & C-UL LOGO

X =

NOTE:
SOLDER WITHSTAND TEMP
NOT TO EXCEED 230°C
5 SEC(MAX)

ISSUED	SPECIFICATION (INITIAL)	TITLE: SLIDE SWITCH 1P2T
	RATING: AC 125V 4A / AC 250V 2A	MODEL NO: U4PS-12G03-G
	CONTACT RESISTANCE: Not more than 30mΩ	UNIT: mm DWN
	INSULATION RESISTANCE: 500MΩ at 500V DC	SCALE: 3 : 1 CHK'D
	WITHSTAND VOLTAGE: AC 1000V for 1 min	TOLERANCE: ±0.20 APPD.
	OPERATION FORCE: 300±200g	
	SWITCHING LIFE: 10000cycles(6-10c/m loading)	
BY:	广东科斯达电子科技有限公司 GUANG DONG KE SI DA ELECTRONIC TECHNOLOGY CO., LTD.	DRWG NO:
DATE:		960014-02