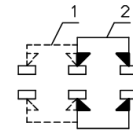
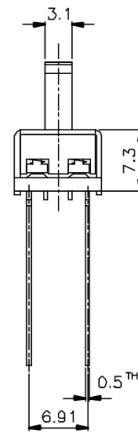
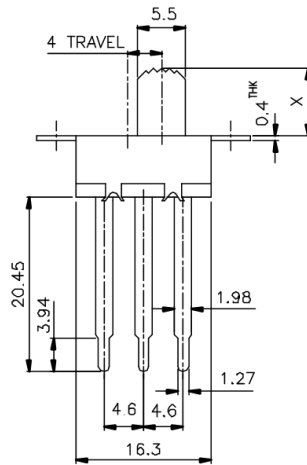
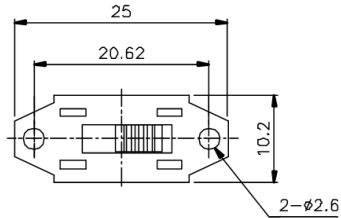


KSD



NON-SHORTING
SCHEMATIC



REMARK : MACKIE P/N : 500-024-00

X=

MARKING: SIDE A: **KSD**

SIDE B: U4 AC 125V 4A
AC 250V 2A

ISSUED	SPECIFICATION (INITIAL)	TITLE: SLIDE SWITCH 2P2T	
	RATING: AC 125V 4A AC 250V 2A	MODEL NO:	U4SS-22H09-G
	CONTACT RESISTANCE: Max. 30mΩ	UNIT: mm	DWN
	INSULATION RESISTANCE: 500MΩ at 500V DC	SCALE: 2 : 1	CHK'D
	WITHSTAND VOLTAGE: AC 1000V for 1 min	TOLERANCE: ±0.20	APPD.
	OPERATION FORCE: 400±200g		
	SWITCHING LIFE: 10000 Cycles(6-10c/m loading)		
BY:	广东科斯达电子科技有限公司 GUANG DONG KE SI DA ELECTRONIC TECHNOLOGY CO., LTD.	DRWG NO:	
DATE:		991310-03	