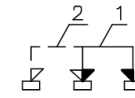
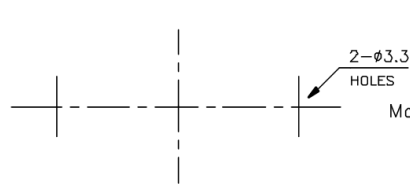
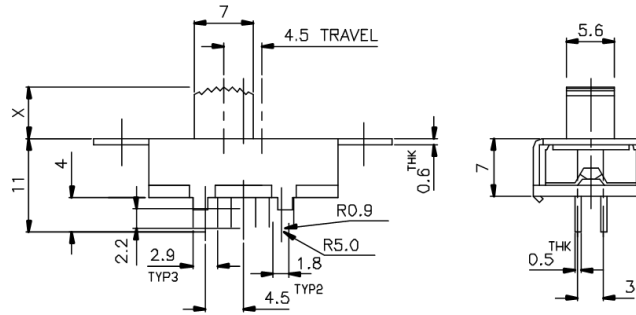
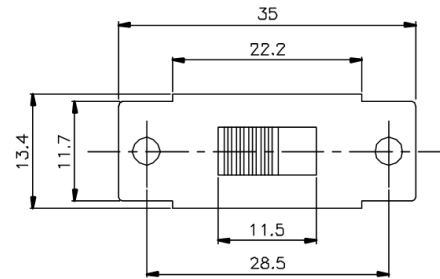


# KSD



NON-SHORTING  
SCHEMATIC



X=

Marking:

SIDE A: **KSD**   
SIDE B: U4 AC 125V 4A  
AC 250V 2A

ISSUED	SPECIFICATION (INITIAL)	TITLE: SLIDE SWITCH 1P2T
	RATING: AC 250V 2A AC 125V 4A	MODEL NO: U4SS-12J23-G
	CONTACT RESISTANCE: Not more than 30mΩ	UNIT: m m DWN
	INSULATION RESISTANCE: 500MΩ AT 500V DC	SCALE: 2 : 1 CHK'D
	WITHSTAND VOLTAGE: AC 1000V FOR 1 MIN	TOLERANCE: ±0.20 APPD.
	OPERATION FORCE: 300 ± 100g	
	SWITCHING LIFE: 10000 Cycles (6-10c/m Loading)	
BY:	<b>广东科斯达电子科技有限公司</b> GUANG DONG KE SI DA ELECTRONIC TECHNOLOGY CO., LTD.	DRWG NO:
DATE:		A00081-02