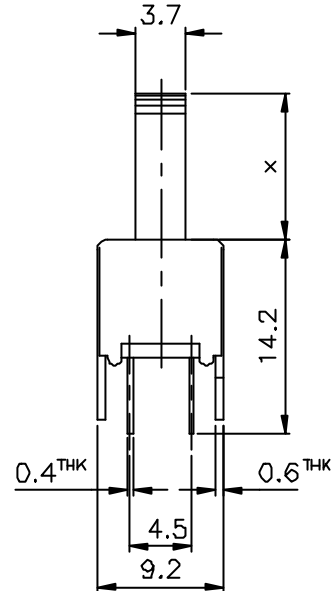
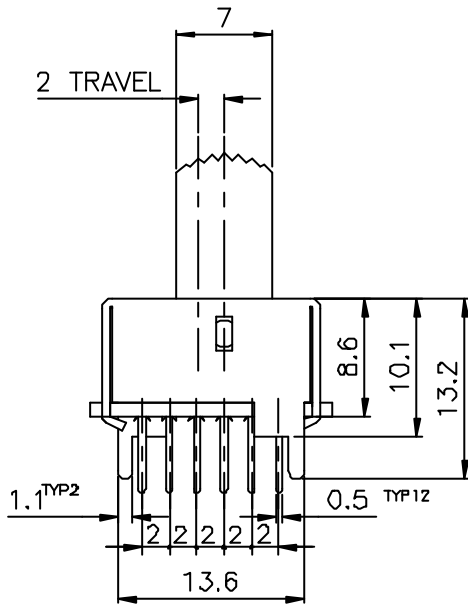
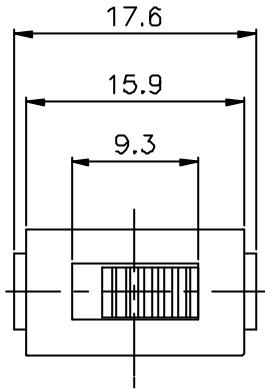



SCHMATIC



X=

ISSUED	SPECIFICATION (INITIAL)	TITLE: SLIDE SWITCH 4P2T		
	RATING: DC 50V 0.5A	MODEL NO: SS-42D01-G		
	CONTACT RESISTANCE: Not more than 30m Ω	UNIT: m m	DWN	
	INSULATION RESISANCE: 500MΩ at 500V DC	SCALE: 2 : 1	CHK'D	
	WITHSTAND VOLTAGE: AC 500V for 1 min	TOLERANCE ±0.2	APPD.	
	OPERATION FORCE: 500±200g			
	SWITCHING LIFE: 10000cycles(15-18c/m unloading)			
BY:	 广东科斯达电子科技有限公司 GUANG DONG KE SI DA ELECTRONIC TECHNOLOGY CO., LTD.	DRWG NO: 820056-01		
DATE:				