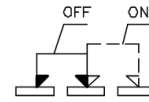
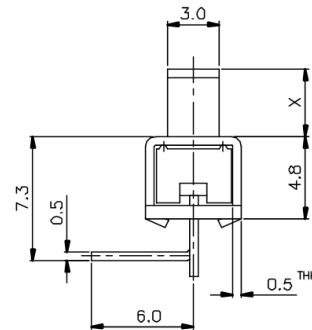
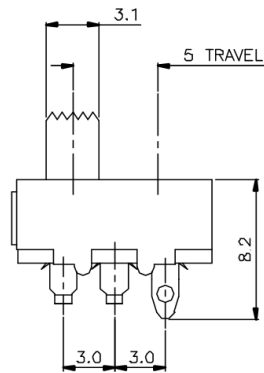
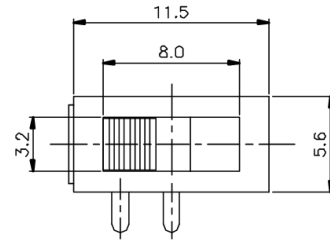



KSD



SCHEMATIC



X=

| | | | |
|--------|---|--------------------------|---------------|
| ISSUED | SPECIFICATION (INITIAL) | TITLE: SLIDE SWITCH 1P1T | |
| | RATING: DC 50V 0.5A | MODEL NO: | SS-11J01-G(A) |
| | CONTACT RESISTANCE: Not more than 30mΩ | UNIT: mm | DWN |
| | INSULATION RESISTANCE: 500MΩ at 500V DC | SCALE: 4 : 1 | CHK'D |
| | WITHSTAND VOLTAGE: AC 500V for 1 min | TOLERANCE: ±0.20 | APPD. |
| | OPERATION FORCE: 200±100g | | |
| | SWITCHING LIFE: 10000 Cycles(6-10c/m loading) | | |
| BY: |  广东科斯达电子科技有限公司 GUANG DONG KE SI DA ELECTRONIC TECHNOLOGY CO., LTD. | DRWG NO: | 830037-00 |
| DATE: | | | |