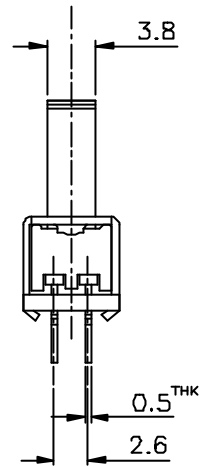
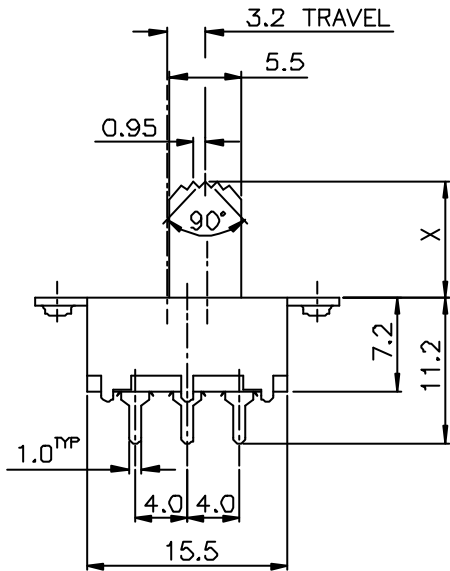
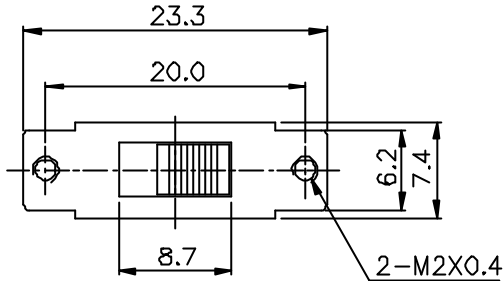



SCHEMATIC



X=

ISSUED	SPECIFICATION (INITIAL)	TITLE: SLIDE SWITCH 2P2T			
	RATING: DC 50V 0.5A	MODEL NO: SS-22F34-G			
	CONTACT RESISTANCE: Not more than 30mΩ	UNIT: mm	DWN	Y.P.FU	5.8.2002
	INSULATION RESISTANCE: 500MΩ at 500V DC	SCALE: 2 : 1	CHK'D		
	WITHSTAND VOLTAGE: AC 500V for 1 min	TOLERANCE: ±0.2	APPD		
	OPERATION FORCE: 400g ±250g				
	SWITCHING LIFE: 10000 Cycles (6-10c/m loading)				
BY:	 <b>广东科斯达电子科技有限公司</b> GUANG DONG KE SI DA ELECTRONIC TECHNOLOGY CO., LTD.	DRWG NO:			
DATE:		A20438-00			