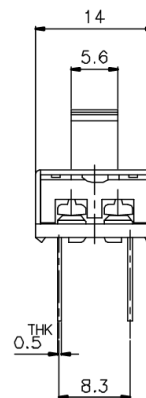
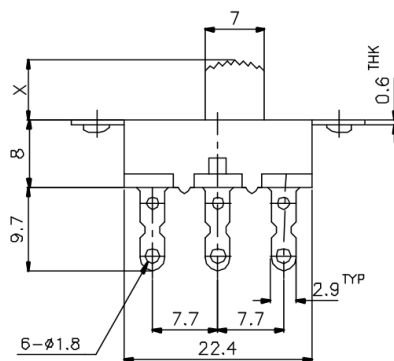
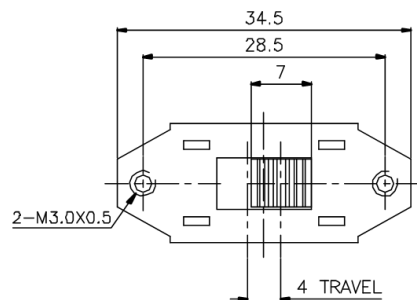
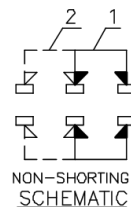


KSD




MARKING:

SIDE A: **KSD** 广东科斯达

X=

SIDE B: U11 AC 125V 11A
AC 250V 5.5A

ISSUED	SPECIFICATION (INITIAL)	TITLE: SLIDE SWITCH 2P2T	
	RATING: AC 125V 11A AC 250V 5.5A	MODEL NO:	U11SS-22P03-G
	CONTACT RESISTANCE: MAX. 30mΩ	UNIT:	m m DWN
	INSULATION RESISTANCE: 500MΩ AT 500V DC	SCALE:	2 : 1 CHK'D
	WITHSTAND VOLTAGE: AC 1000V FOR 1 MIN	TOLERANCE:	±0.20 APPD.
	OPERATION FORCE: 400 ± 200 g		
	SWITCHING LIFE: 10,000 Cycles(6-10c/m loading)		
BY:	 广东科斯达电子科技有限公司 GUANG DONG KE SI DA ELECTRONIC TECHNOLOGY CO., LTD.	DRWG NO:	940379-02
DATE:			