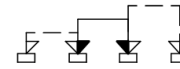
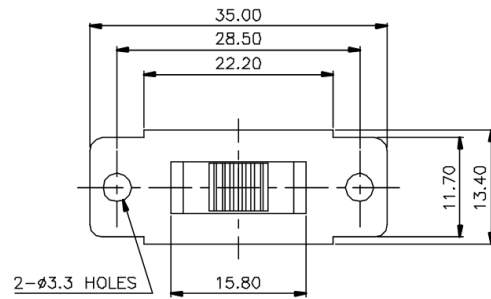
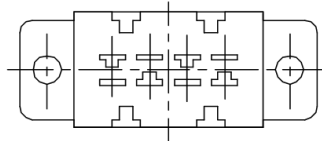
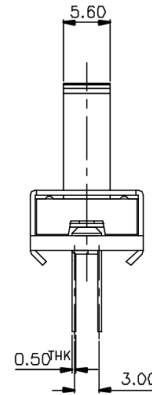
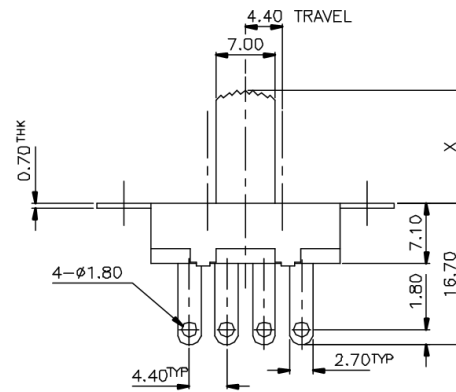



KSD



SCHEMATIC



X=

ISSUED	SPECIFICATION (INITIAL)	TITLE: SLIDE SWITCH 1P3T	
	RATING: AC 125V 6A	MODEL NO: CL02-SS13102-G	
	CONTACT RESISTANCE: NOT MORE THAN 30mΩ	UNIT: m	m
	INSULATION RESISTANCE: 500MΩ AT 500V DC	DWN	
	WITHSTAND VOLTAGE: AC 1000V FOR 1 MIN	SCALE: 2 : 1	CHK'D
	OPERATION FORCE: 350±200g	TOLERANCE: ±0.20	APPD.
	SWITCHING LIFE: 10000 Cycles(6-10c/m unloading)		
BY:	 广东科斯达电子科技有限公司 GUANG DONG KE SI DA ELECTRONIC TECHNOLOGY CO., LTD.	DRWG NO:	
DATE:		940339-00	