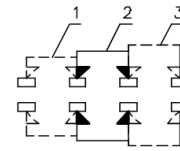
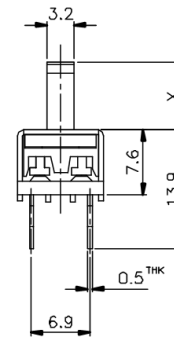
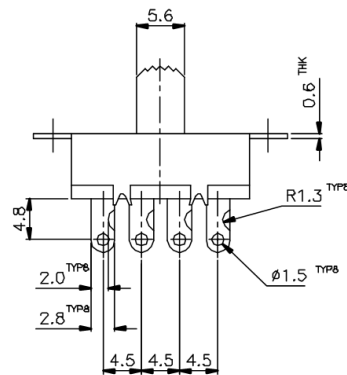
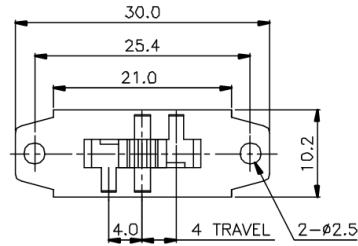


KSD



NON-SHORTING SCHEMATIC



X=

ISSUED	SPECIFICATION (INITIAL)	TITLE: SLIDE SWITCH 2P3T
	RATING: AC 125V 3A	MODEL NO: WS-23H32-G
	CONTACT RESISTANCE: Not more than 30mΩ	UNIT: mm DWN
	INSULATION RESISTANCE: 500MΩ at 500V DC	SCALE: 2 : 1 CHK'D
	WITHSTAND VOLTAGE: AC 1000V for 1 min	TOLERANCE: ±0.20 APPD.
	OPERATION FORCE: 250±150g	
	SWITCHING LIFE: 10,000 Cycles(6-10c/m loading)	
BY:	广东科斯达电子科技有限公司 GUANG DONG KE SI DA ELECTRONIC TECHNOLOGY CO., LTD.	DRWG NO:
DATE:		A10173-00