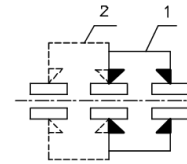
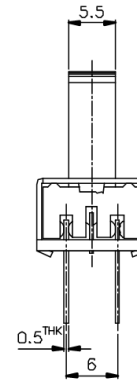
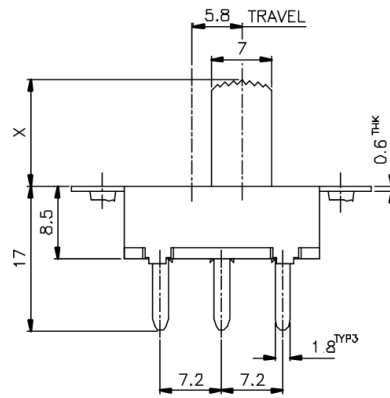
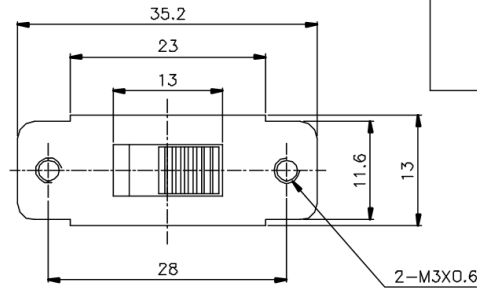



KSD



NON-SHORTING SCHEMATIC



ISSUED	SPECIFICATION (INITIAL)	TITLE: SLIDE SWITCH 2P2T	
	RATING: AC 125V 0.5A	MODEL NO:	WS-22L04-G
	CONTACT RESISTANCE: Not more than 30mΩ	UNIT: mm	DWN
	INSULATION RESISTANCE: 500MΩ at 500V DC	SCALE: 2 : 1	CHK'D
	WITHSTAND VOLTAGE: AC 1000V for 1 min.	TOLERANCE: ±0.2	APPD.
	OPERATION FORCE: 450±150g		
	SWITCHING LIFE: 100000Cycles(6-10c/m loading)		
BY:	 广东科斯达电子科技有限公司 GUANG DONG KE SI DA ELECTRONIC TECHNOLOGY CO., LTD.	DRWG NO:	890104-00
DATE:			