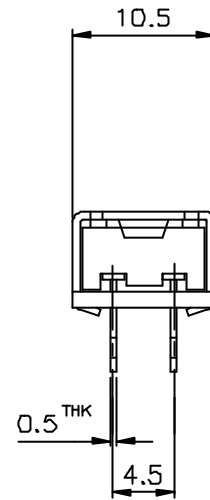
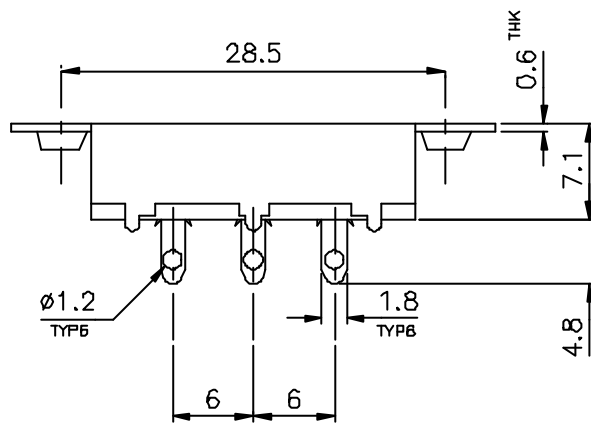
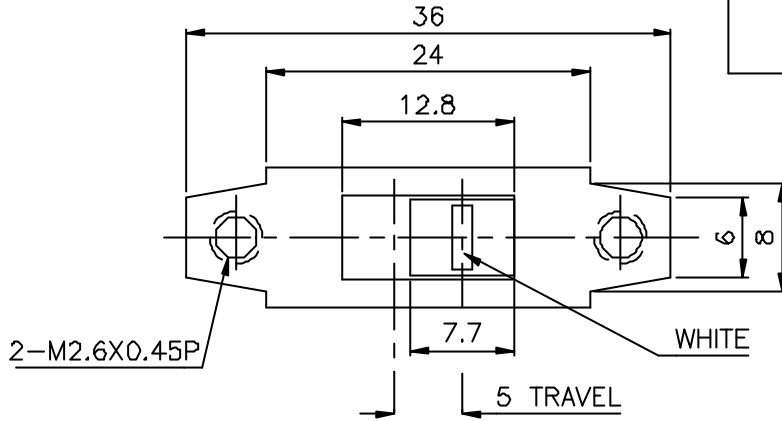



SCHMATIC



X=

ISSUED	SPECIFICATION	TITLE: SLIDE SWITCH 2P2T			
	RATING: DC 50V 0.5A	MODEL NO: SS-22J03-G(C)			
	CONTACT RESISTANCE: Not more than 30mΩ(initial)	UNIT: m m	DWN	X.J.M	10/11/95
	INSULATION RESISANCE: 500MΩ AT 500V DC	SCALE: 2 : 1	CHK'D		
	WITHSTAND VOLTAGE: AC 500V FOR 1 MIN	TOLERANCE: ±0.20	APPD.		
	OPERATION FORCE: 400 ± 200g				
	SWITCHING LIFE: 10000 Cycles(15-18c/m unloading)				
BY:	 广东科斯达电子科技有限公司 GUANG DONG KE SI DA ELECTRONIC TECHNOLOGY CO., LTD.	DRWG NO:			
DATE:		B800600			