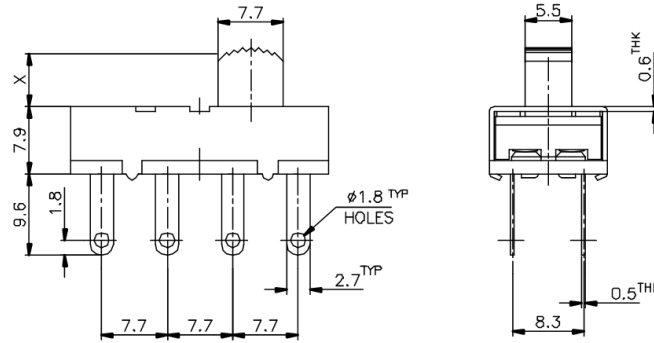
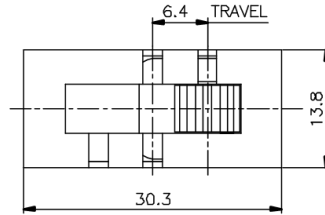
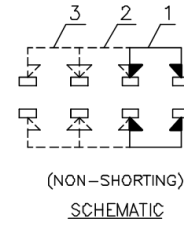


KSD



MARKING: SIDE A: **KSD**

SIDE B: U13 AC 125V 13A
AC 250V 6.5A

X =

ISSUED	SPECIFICATION (INITIAL)	TITLE: SLIDE SWITCH	2P3T
	RATING: 13A 125VAC 6.5A 250VAC	MODEL NO: U13SS-23L14-G	
	CONTACT RESISTANCE: MAX. 30mΩ	UNIT: m m DWN	
	INSULATION RESISTANCE: 500MΩ AT 500V DC	SCALE: 2 : 1	CHK'D
	WITHSTAND VOLTAGE: AC 1000V FOR 1 MIN	TOLERANCE: ±0.20	APPD.
	OPERATION FORCE: 400 ± 150 g		
	SWITCHING LIFE: 10,000 Cycles(6-10c/m loading)		
BY:	广东科斯达电子科技有限公司 GUANG DONG KE SI DA ELECTRONIC TECHNOLOGY CO., LTD.	DRWG NO:	
DATE:		980335-01	