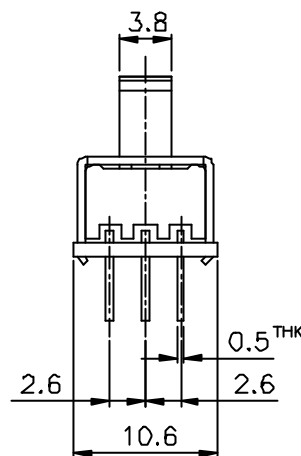
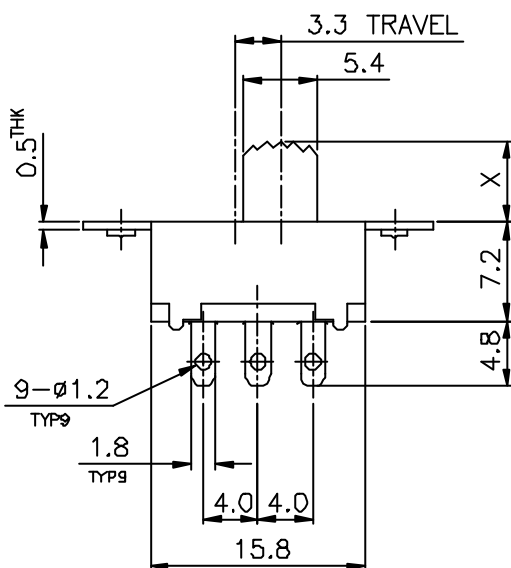



NON-SHORTING
SCHEMATIC



X=

ISSUED	SPECIFICATION (INITIAL)	TITLE: SLIDE SWITCH 3P2T					
	RATING: DC 50V 0.5A	MODEL NO: SS-32H04-G					
	CONTACT RESISTANCE: MAX. 30mΩ	UNIT	m	m	DWN	TSANG	2.09 88
	INSULATION RESISTANCE: 500MΩ at 500V DC	SCALE: 2 : 1		CHK'D			
	WITHSTAND VOLTAGE: AC 500V FOR 1 MIN	TOLERANCE: ±0.2		APPD.			
	OPERATION FORCE: 400 ± 150 g						
	SWITCHING LIFE: 10000 Cycles(6-10c/m loading)						
BY:	 广东科斯达电子科技有限公司 GUANG DONG KE SI DA ELECTRONIC TECHNOLOGY CO., LTD.	DRWG NO:					
DATE:		880288-00					