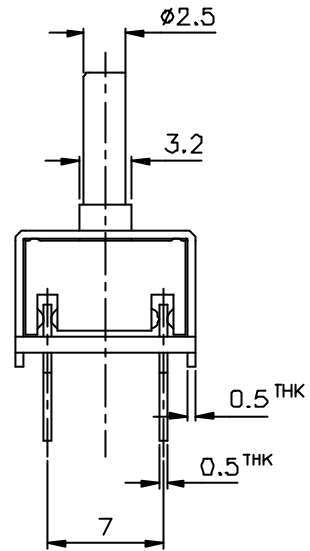
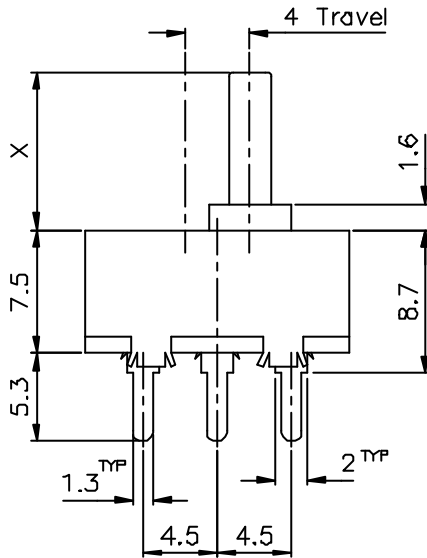
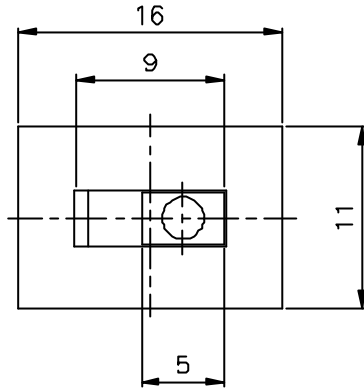



SCHEMATIC



X =

ISSUED	SPECIFICATION (INITIAL)	TITLE: SLIDE SWITCH 2P2T			
	RATING: DC 50V 0.5A	MODEL NO: SS-22H04-T(E)			
	CONTACT RESISTANCE: Not more than 30mΩ	UNIT: mm	DWN	X.J.Mo	1/4/97
	INSULATION RESISTANCE: 500MΩ at 500V DC	SCALE: 2.5 . 1	CHK'D		
	WITHSTAND VOLTAGE: AC 500V for 1 min	TOLERANCE: ±0.2	APPD.		
	OPERATION FORCE 400 ± 250g				
	SWITCHING LIFE: 10,000 Cycles(6-10c/m loading)				
BY:	 广东科斯达电子科技有限公司 GUANG DONG KE SI DA ELECTRONIC TECHNOLOGY CO., LTD.	DRWG NO:			
DATE:		B801001-00			