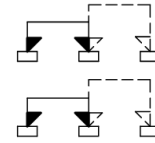
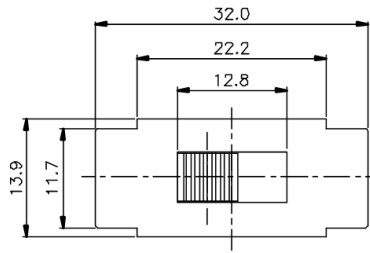
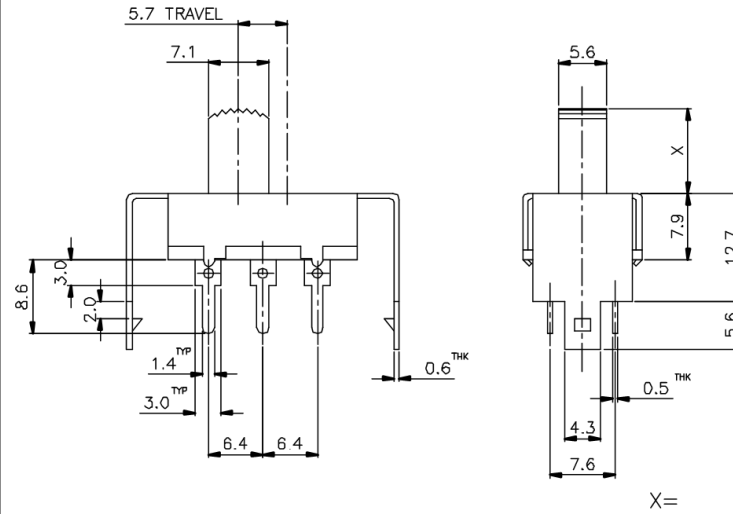



# KSD



NON-SHORTING  
SCHEMATIC



ISSUED	SPECIFICATION (INITIAL)	TITLE: SLIDE SWITCH 2P2T
	RATING: DC 16V 1.5A	MODEL NO: WS-22K01-G
	CONTACT RESISTANCE: Not more than 30mΩ	UNIT: m m DWN
	INSULATION RESISTANCE: 500MΩ AT 500V DC	SCALE: 2 : 1 CHK'D
	WITHSTAND VOLTAGE: AC 500V FOR 1 MIN	TOLERANCE: ±0.20 APPD.
	OPERATION FORCE: 450 ± 200g	
	SWITCHING LIFE: 10000 Cycles (6-10c/m loading)	
BY:	 <b>广东科斯达电子科技有限公司</b> GUANG DONG KE SI DA ELECTRONIC TECHNOLOGY CO., LTD.	DRWG NO:
DATE:		880269-00