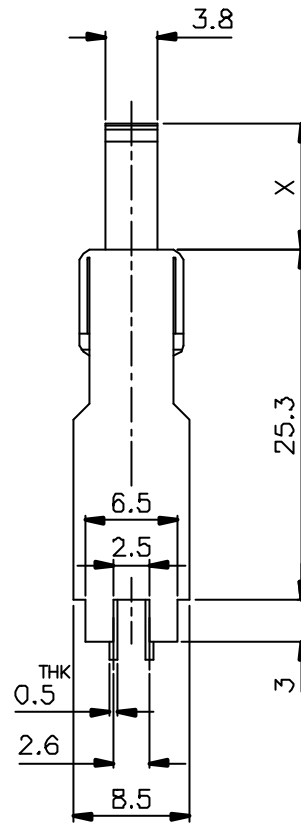
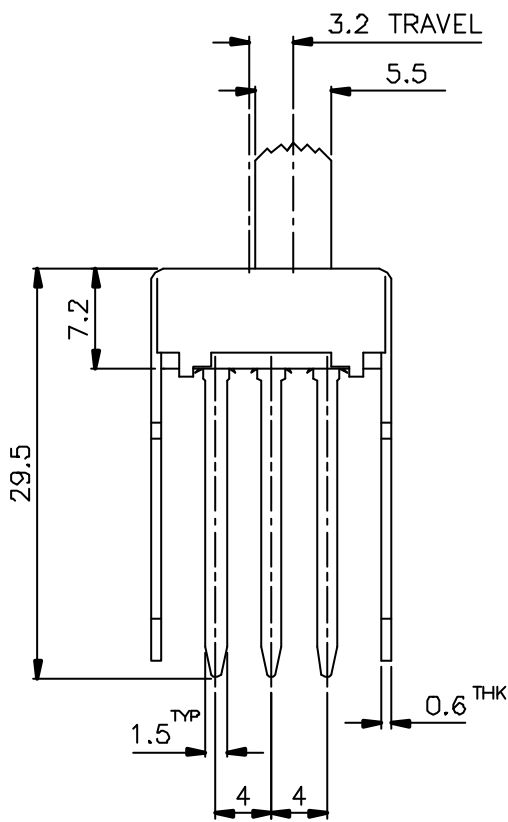
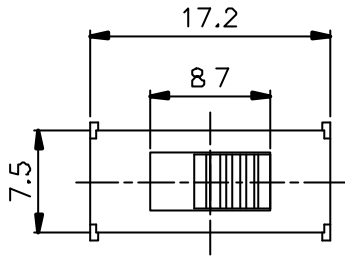



SCHEMATIC



X=

| | | | | |
|--------|---|--------------------------|-------|--|
| ISSUED | SPECIFICATION (INITIAL) | TITLE: SLIDE SWITCH 2P2T | | |
| | RATING: DC 50V 0.5A | MODEL NO: SS-22F23-G | | |
| | CONTACT RESISTANCE: Not more than 30mΩ | UNIT: mm | DWN | |
| | INSULATION RESISTANCE: 500MΩ at 500V DC | SCALE: 2 : 1 | GHK'D | |
| | WITHSTAND VOLTAGE: AC 500V for 1 min | TOLERANCE: ±0.2 | APPD | |
| | OPERATION FORCE: 400 ± 250g | | | |
| | SWITCHING LIFE: 10000 cycles(6-10C/M loading) | | | |
| BY: |  广东科斯达电子科技有限公司 GUANG DONG KE SI DA ELECTRONIC TECHNOLOGY CO., LTD. | DRWG NO: | | |
| DATE: | | B800496-00 | | |