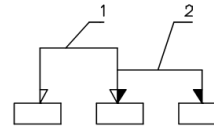
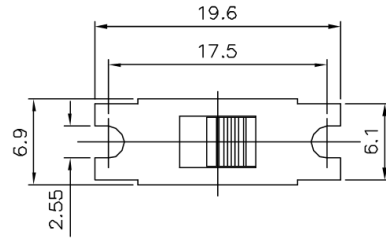
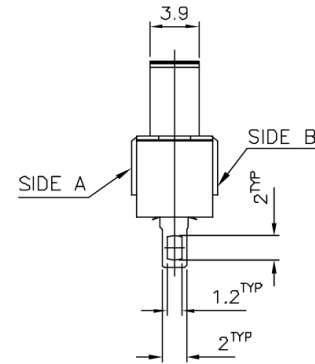
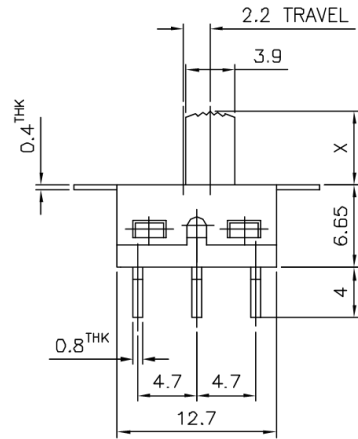


KSD



NON-SHORTING
SCHEMATIC




X=

MARKING:

SIDE A: **KSD** 

SIDE B: U4SS AC 125V 4A
AC 250V 2A

ISSUED	SPECIFICATION (INITIAL)	TITLE: SLIDE SWITCH 1P2T
	RATING: AC 125V 4A 250V 2A	MODEL NO: U4SS-12D01-G-Y-00
	CONTACT RESISTANCE: Not more than 30mΩ	UNIT: m m DWN Q F L 10.08.06
	INSULATION RESISTANCE: 500MΩ at 500V DC	SCALE: 3 : 1 CHK'D
	WITHSTAND VOLTAGE: AC 1000V for 1 min	TOLERANCE: ±0.2 APPD.
	OPERATION FORCE: 250±100g	
	SWITCHING LIFE: 10000cycles(6-10c/m loading)	
BY:	 广东科斯达电子科技有限公司 GUANG DONG KE SI DA ELECTRONIC TECHNOLOGY CO., LTD.	DRWC NO:
DATE:		A60547-00