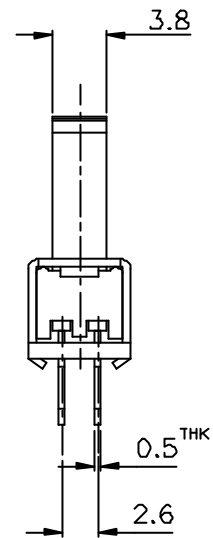
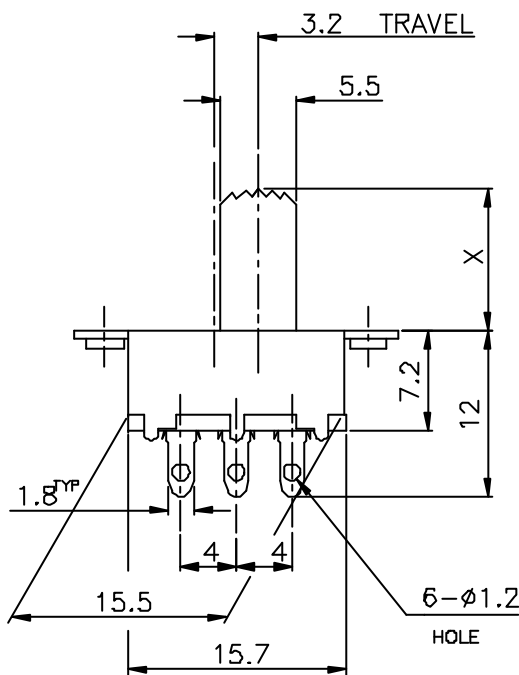
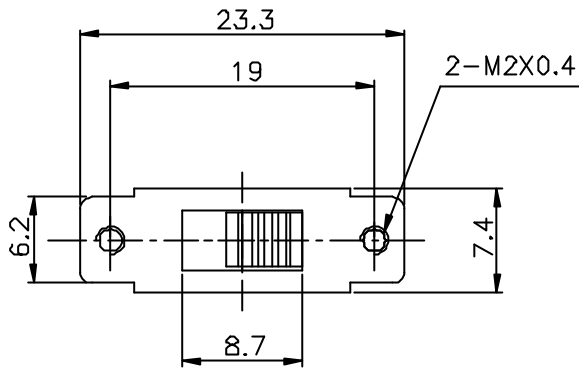



SCHEMATIC



X=

ISSUED	SPECIFICATION (INITIAL)	TITLE:	SLIDE SWITCH 2P2T		
	RATING: DC 50V 0.5A	MODEL NO:	SS-22F25-G		
	CONTACT RESISTANCE: Not more than 30mΩ	UNIT: m m	DWN	W.X.HU	15/1/03
	INSULATION RESISTANCE: 500MΩ at 500V DC	SCALE: 2 : 1	CHK'D		
	WITHSTAND VOLTAGE: AC 500V for 1 min	TOLERANCE: ±0.2	APPD.		
	OPERATION FORCE: 400±250g				
	SWITCHING LIFE: 10,000 Cycles(6-10C/M loading)				
BY	 广东科斯达电子科技有限公司 GUANG DONG KE SI DA ELECTRONIC TECHNOLOGY CO., LTD.	DRWC NO			
DATE:		B 800528-01			