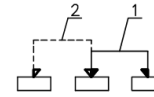
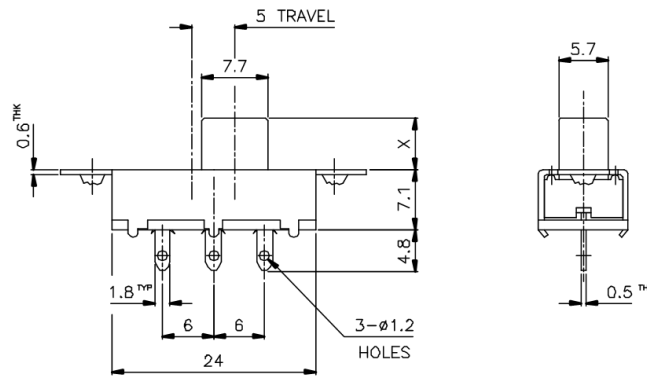
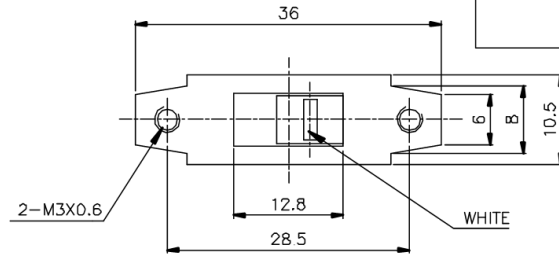



KSD



NON-SHORTING
SCHEMATIC



X=

| | | | |
|--------|---|--------------------------|---------------|
| ISSUED | SPECIFICATION (INITIAL) | TITLE: SLIDE SWITCH 1P2T | |
| | RATING: AC 125V 2A | MODEL NO: | WS-12J09-G(C) |
| | CONTACT RESISTANCE: Not more than 30mΩ | UNIT: mm | DWN |
| | INSULATION RESISTANCE: 500MΩ at 500V DC | SCALE: 2 : 1 | CHK'D |
| | WITHSTAND VOLTAGE: AC 1000V for 1 min | TOLERANCE: ±0.2 | APPD. |
| | OPERATION FORCE: 400±200g | | |
| | SWITCHING LIFE: 10000cycles(6-10c/m loading) | | |
| BY: |  广东科斯达电子科技有限公司 GUANG DONG KE SI DA ELECTRONIC TECHNOLOGY CO., LTD. | DRWG NO: | |
| DATE: | | | |