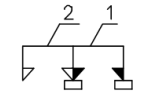
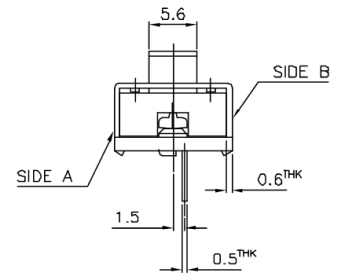
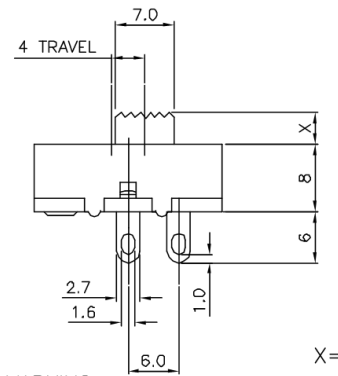
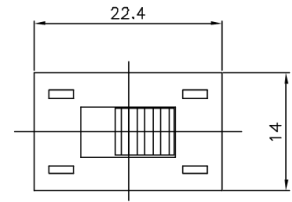


# KSD



NON-SHORTING  
SCHEMATIC



X =

MARKING:

1. SIDE A: **KSD** .SW.
2. SIDE B: U13SS AC 125V 13A  
AC 250V 6.5A
3. DATE CODE  

|   |   |                        |
|---|---|------------------------|
| X | X | Month (1,2,3? 9,X,Y,Z) |
| X | X | Year (1,2,3?)          |
4. Unit weight: 4.5g
5. Customer's MODEL NO: 760249001

|        |   |                                 |           |
|--------|---|---------------------------------|-----------|
| ISSUED | SPECIFICATION (INITIAL)   | TITLE: SLIDE SWITCH             | 1P1T      |
|        | RATING: AC 125V 13A AC 250V 6.5A  | MODEL NO: U13SS-11L01-G(A)-X-00 |           |
|        | CONTACT RESISTANCE: MAX. 30mΩ   | UNIT: m m DWN Q F L             | 21.04.06  |
|        | INSULATION RESISTANCE: 500MΩ AT 500V DC                                     | SCALE: 2 : 1                    | CHK'D     |
|        | WITHSTAND VOLTAGE: AC 1000V FOR 1 MIN                                       | TOLERANCE: ±0.20                | APPD.     |
|        | OPERATION FORCE: 400 ± 200 g  |                                 |           |
|        | SWITCHING LIFE: 10000 Cycles(6-10c/m loading)                               |                                 |           |
| BY:    | <b>广东科斯达电子科技有限公司</b><br>GUANG DONG KE SI DA ELECTRONIC TECHNOLOGY CO., LTD. | DRWG NO:                        | A50758-01 |
| DATE:  |   |                                 |           |