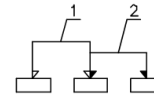
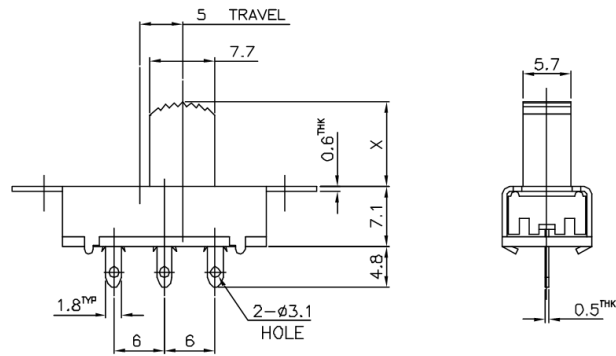
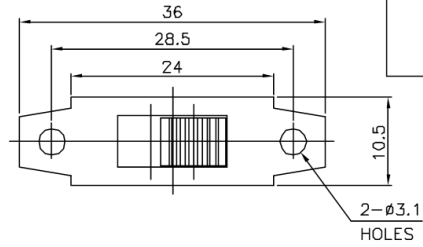


# KSD



NON-SHORTING  
SCHEMATIC




MARKING:

SIDE A: **KSD**  U<sub>S</sub>

X=

SIDE B: U4 AC 125V 4A  
AC 250V 2A

ISSUED	SPECIFICATION (INITIAL)	TITLE: SLIDE SWITCH	1P2T			
	RATING: AC 250V 2A AC 125V 4A	MODEL NO:	U4SS-12J01-G-00			
	CONTACT RESISTANCE: Not more than 30mΩ	UNIT:	m m	DWN	Q F L	12.07.06
	INSULATION RESISTANCE: 500MΩ at 500V DC	SCALE:	2 : 1	CHK'D		
	WITHSTAND VOLTAGE: AC 500V for 1 min	TOLERANCE:	±0.2	APPD.		
	OPERATION FORCE: 400±200g					
	SWITCHING LIFE: 10000cycles(8-10c/m loading)					
BY:	 <b>广东科斯达电子科技有限公司</b> GUANG DONG KE SI DA ELECTRONIC TECHNOLOGY CO., LTD.	DRWG NO:	A60422-00			
DATE:						