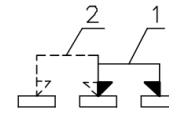
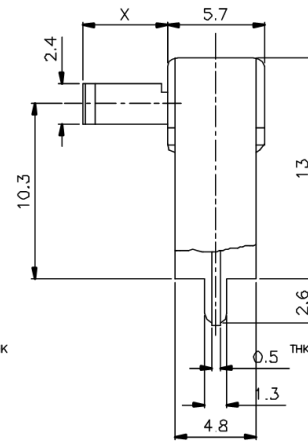
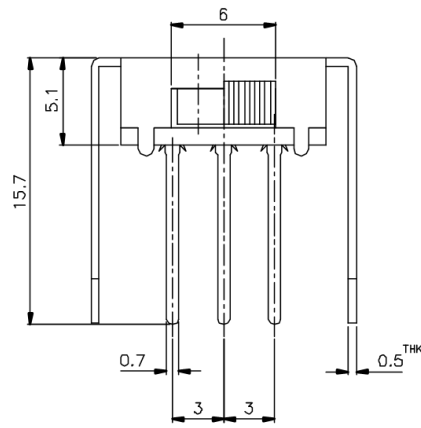
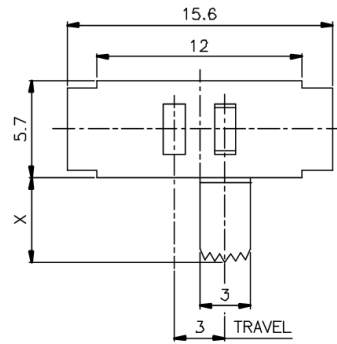



KSD



SCHEMATIC



X =

ISSUED	SPECIFICATION (INITIAL)	TITLE: SLIDE SWITCH 1P2T	
	RATING: DC 50V 0.5A	MODEL NO: SK-12F09-G	
	CONTACT RESISTANCE: Not more than 30mΩ	UNIT: mm	DWN
	INSULATION RESISANCE: 500MΩ at 500V DC	SCALE: 4 : 1	CHK'D
	WITHSTAND VOLTAGE: AC 500V for 1 min	TOLERANCE: ±0.2	APPD.
	OPERATION FORCE: 250 ± 150g		
	SWITCHING LIFE: 10000 Cycles (6-10c/m loading)		
BY:	 广东科斯达电子科技有限公司 GUANG DONG KE SI DA ELECTRONIC TECHNOLOGY CO., LTD.	DRWG NO: B800878-00	
DATE:			