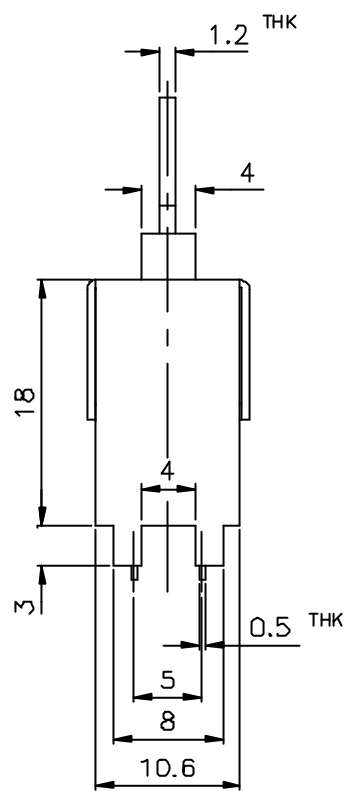
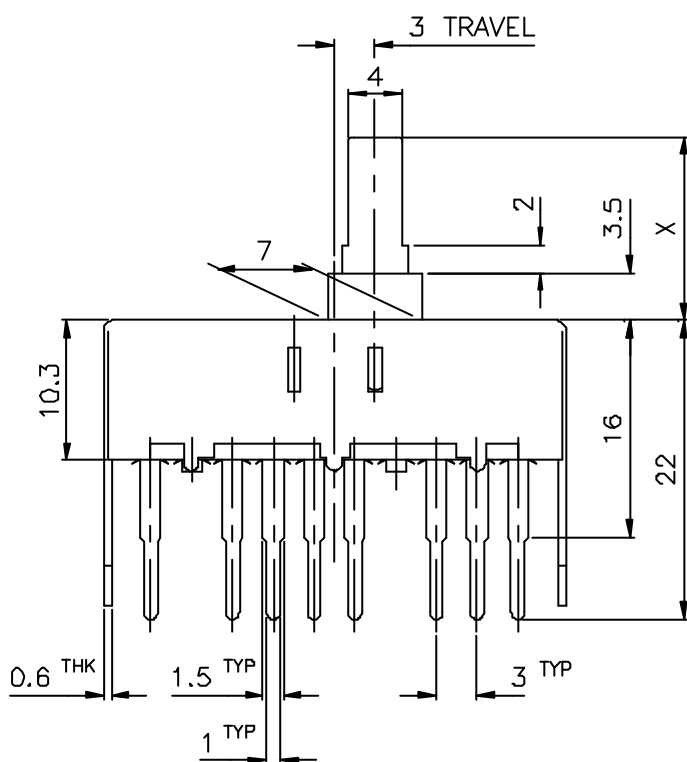



SCHEMATIC



X =

ISSUED	SPECIFICATION (INITIAL)	TITLE: SLIDE SWITCH 4P3T		
	RATING: DC 50V 0.5A	MODEL NO: SS-43F01-M		
	CONTACT RESISTANCE Not more than 30mΩ(Initial)	UNIT: m m	DWN	
	INSULATION RESISANCE 500MΩ AT 500V DC	SCALE: 2 : 1	CHK'D	
	WITHSTAND VOLTAGE: AC 500V FOR 1 MIN	TOLERANCE: ±0.2	APP'D.	
	OPERATION FORCE: 400 ± 250g			
	SWITCHING LIFE: 10000 Cycles(15-18c/m unloading)			
BY:	 广东科斯达电子科技有限公司 GUANG DONG KE SI DA ELECTRONIC TECHNOLOGY CO., LTD.	DRWG NO.		
DATE:		E79003-00		