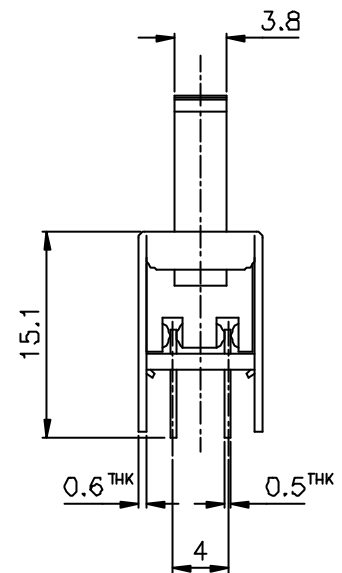
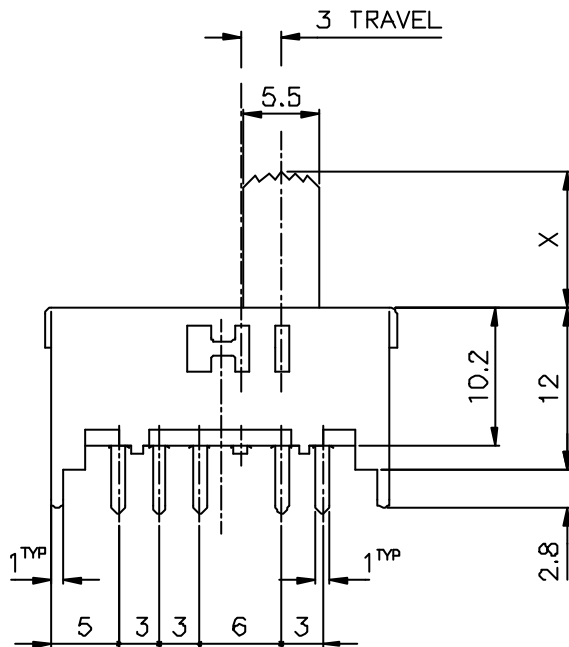
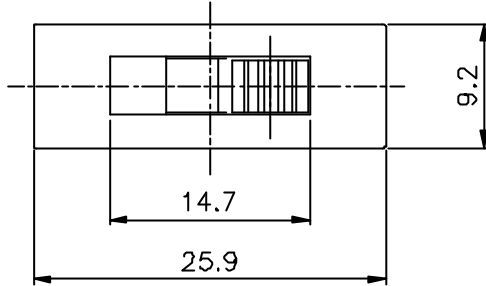



SCHEMATIC



X=

ISSUED	SPECIFICATION (INITIAL)	TITLE: SLIDE SWITCH 2P4T		
	RATING DC 50V 0.5A	MODEL NO: SS-24F01-G		
	CONTACT RESISTANCE: Not more than 30mΩ	UNIT: mm	DWN	
	INSULATION RESISTANCE: 500MΩ at 500V DC	SCALE 2 : 1	CHK'D	
	WITHSTAND VOLTAGE AC 500V for 1 min		APPD.	
	OPERATION FORCE: 350±250g	TOLERANCE: ±0.2		
	SWITCHING LIFE: 10000cycles(15-18c/m unloading)			
BY:	 广东科斯达电子科技有限公司 GUANG DONG KE SI DA ELECTRONIC TECHNOLOGY CO., LTD.	DRWG NO:		
DATE:		B 800605-00		