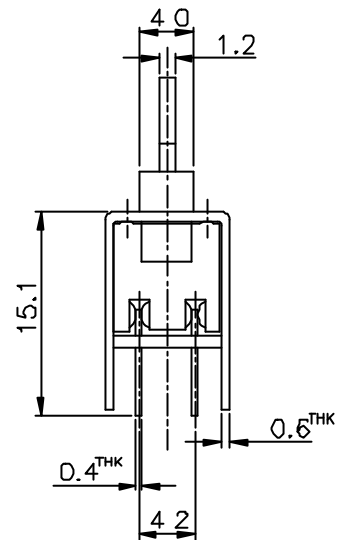
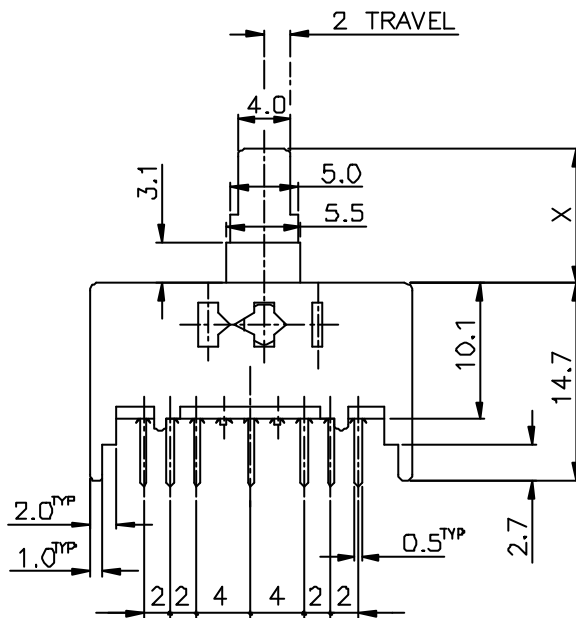
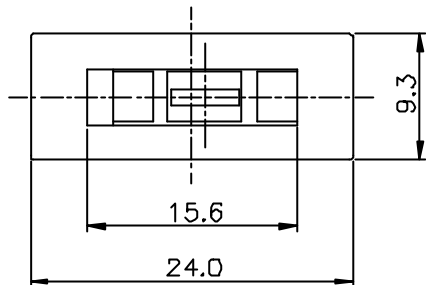



SCHEMATIC



X=

ISSUED	SPECIFICATION (INITIAL)	TITLE: SLIDE SWITCH 2P6T				
	RATING: DC 50V 0.5A	MODEL NO: SS-26D01-M				
	CONTACT RESISTANCE: Not more than 30mΩ	UNIT: m m	DWN	Q F L	13.07.05	
	INSULATION RESISTANCE: 500MΩ at 500V DC	SCALE: 2 : 1	CHK'D			
	WITHSTAND VOLTAGE: AC 500V for 1 min	TOLERANCE: ±0.2	APPD			
	OPERATION FORCE: 250±150g					
	SWITCHING LIFE: 10000 Cycles(6-10c/m loading)					
BY:	 广东科斯达电子科技有限公司 GUANG DONG KE SI DA ELECTRONIC TECHNOLOGY CO., LTD.	DRWG NO:				
DATE:		A50526-00				