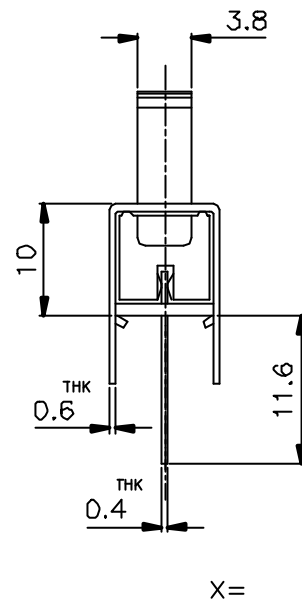
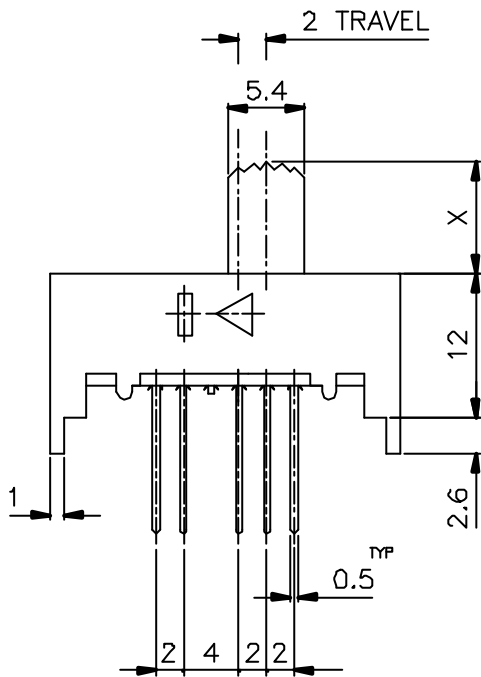
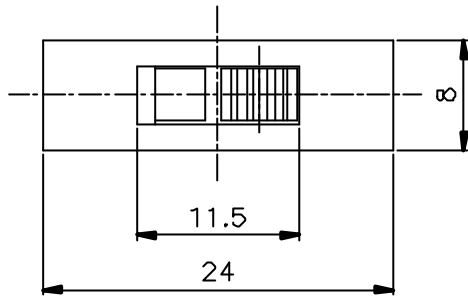



SCHEMATIC



ISSUED	SPECIFICATION (INITIAL)	TITLE: SLIDE SWITCH 1P4T		
	RATING: DC 50V 0.5A	MODEL NO: SS-14D03-G		
	CONTACT RESISTANCE: Not more than 30mΩ	UNIT: m m	DWN	
	INSULATION RESISTANCE: 500MΩ at 500V DC	SCALE: 2 : 1	CHK'D	
	WITHSTAND VOLTAGE: AC 500V for 1 min	TOLERANCE: ±0.2	APPD.	
	OPERATION FORCE: 400±200g			
	SWITCHING LIFE: 10000cycles(6-10C/M Loading)			
BY:	 广东科斯达电子科技有限公司 GUANG DONG KE SI DA ELECTRONIC TECHNOLOGY CO., LTD.	DRWG NO:		
DATE:		820194-00		