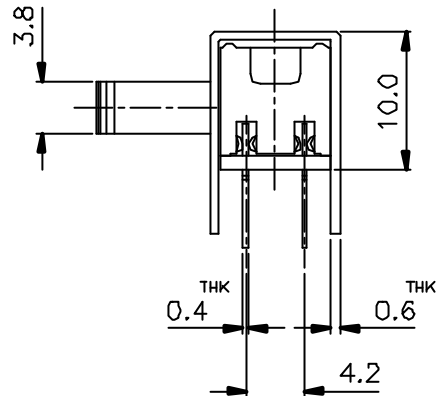
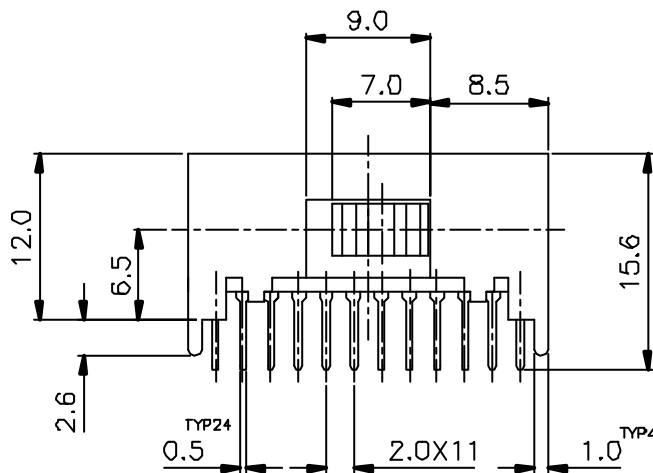
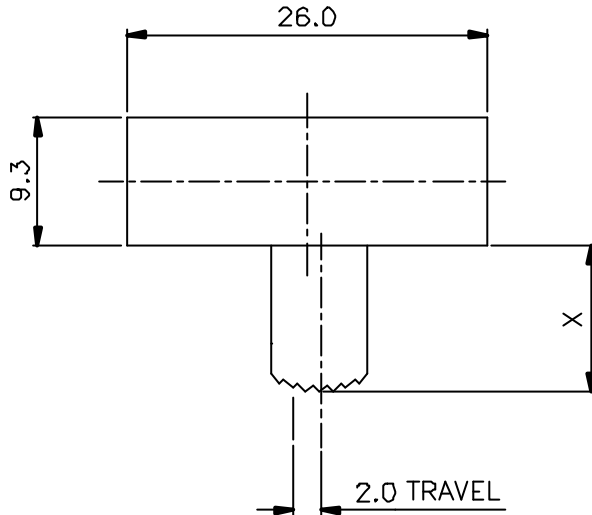



SCHEMATIC



X=

ISSUED	SPECIFICATION (INITIAL)	TITLE: SLIDE SWITCH 8P2T		
	RATING: DC 50V 0.5A	MODEL NO: SK-82D01-G		
	CONTACT RESISTANCE: MAX. 30mΩ INITIAL	UNIT: M M	DWN	
	INSULATION RESISTANCE: 500MΩ AT 500V DC	SCALE: 2:1	CHK'D	
	WITHSTAND VOLTAGE: AC 500V FOR 1 MIN	TOLERANCE: ±0.20	APPD.	
	OPERATION FORCE: 350±150g			
	SWITCHING LIFE: 10K Cycles (6-10c/m loading)			
BY:	 广东科斯达电子科技有限公司 GUANG DONG KE SI DA ELECTRONIC TECHNOLOGY CO., LTD.	DRWG NO.		
DATE		920309-00		