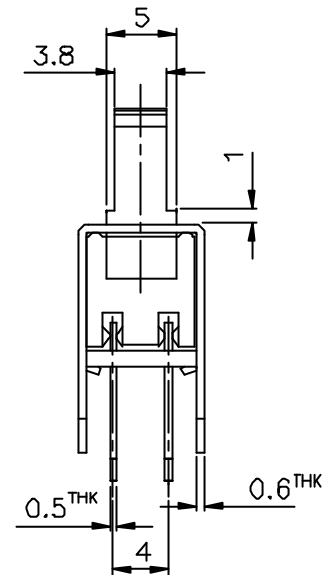
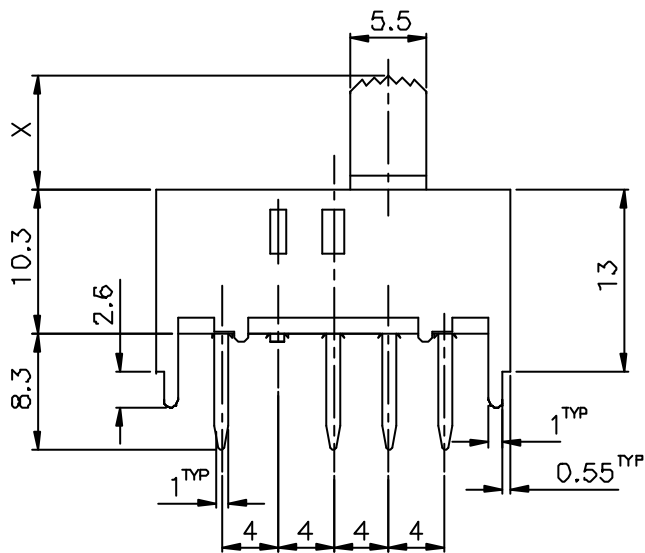
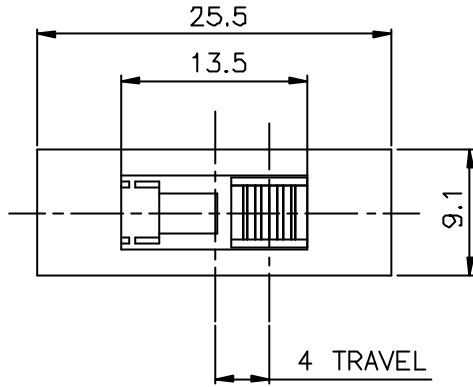



SCHMATIC



X =

ISSUED	SPECIFICATION (INITIAL)	TITLE: SLIDE SWITCH 2P3T			
	RATING: DC 50V 0.5A	MODEL NO: SS-23H16-G			
	CONTACT RESISTANCE: MAX. 30mΩ	UNIT: m m	DWN	LIU	20.10.09
	INSULATION RESISTANCE: 500MΩ at 500V DC	SCALE: 2 : 1	CHK'D		
	WITHSTAND VOLTAGE AC 500V FOR 1 MIN	TOLERANCE: ±0.2	APPD.		
	OPERATION FORCE: 350±150g				
	SWITCHING LIFE: 10000 Cycles(6-10c/m loading)				
BY	 广东科斯达电子科技有限公司 GUANG DONG KE SI DA ELECTRONIC TECHNOLOGY CO., LTD.	DRWG NO.		REV:	
DATE:		A90557-00		A	