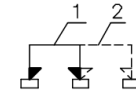
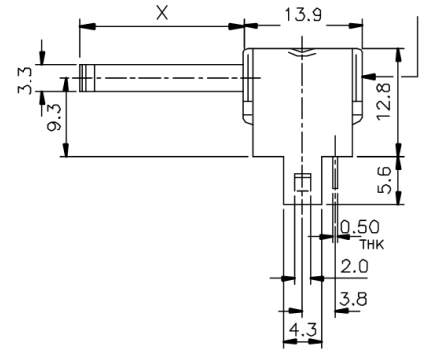
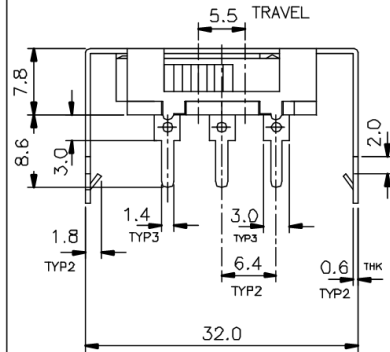
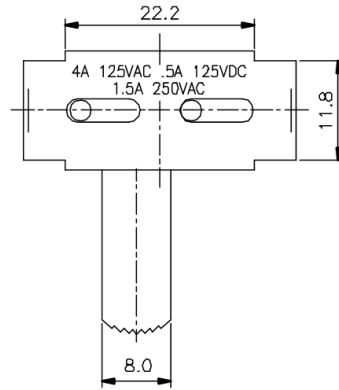


KSD



SCHEMATIC



ISSUED	SPECIFICATION (INITIAL)	TITLE: SIDE KNOB SLIDE SWITCH (SPRING RETURN) 1P2T
	RATING: 4A 125VAC 0.5A 125VDC 1.5A 125VAC	MODEL NO: SK-12K01-G
	CONTACT RESISTANCE: Not more than 30mΩ INITIAL	UNIT: m m DWN
	INSULATION RESISTANCE: 500MΩ AT 500V DC	SCALE: 2 : 1 CHK'D
	WITHSTAND VOLTAGE: AC 1000V FOR 1 MIN	TOLERANCE: ±0.20 APPD.
	OPERATION FORCE: 700 ± 200g	
	SWITCHING LIFE: 10000 Cycles (6-10c/m loading)	
BY:	广东科斯达电子科技有限公司 GUANG DONG KE SI DA ELECTRONIC TECHNOLOGY CO., LTD.	DRWG NO:
DATE:		920298-00